


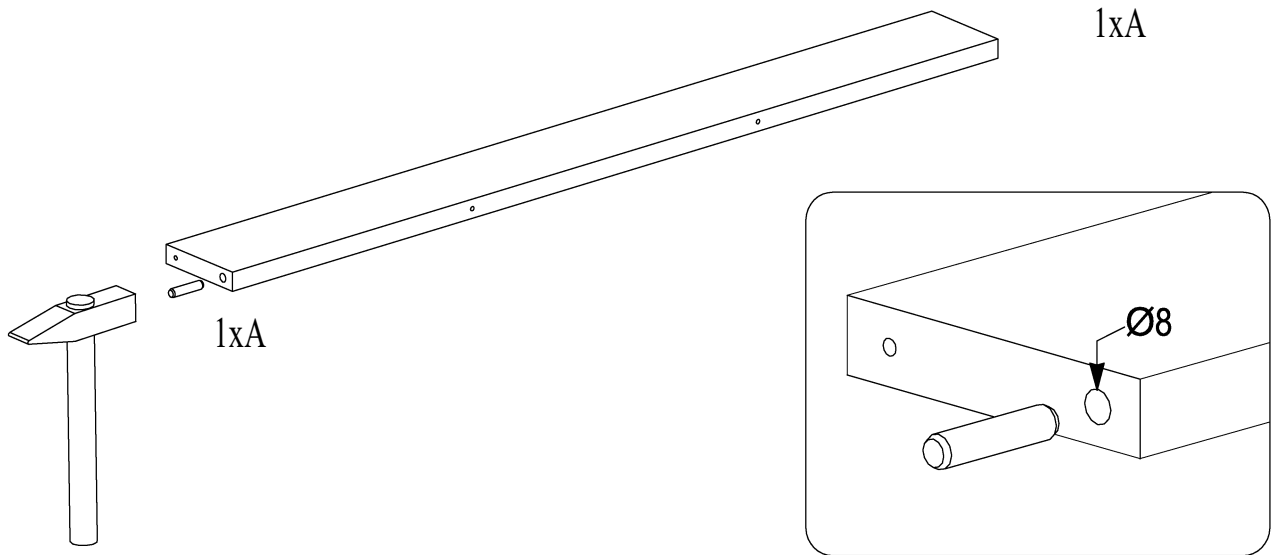


A	B	C
08x30	6x50	N4
		
x2	x12	x1

1



2

