

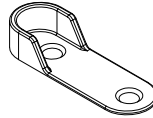
136



6,3x9mm

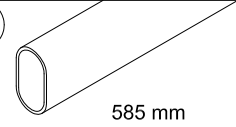
x4

146



x2

150



585 mm

x1

171



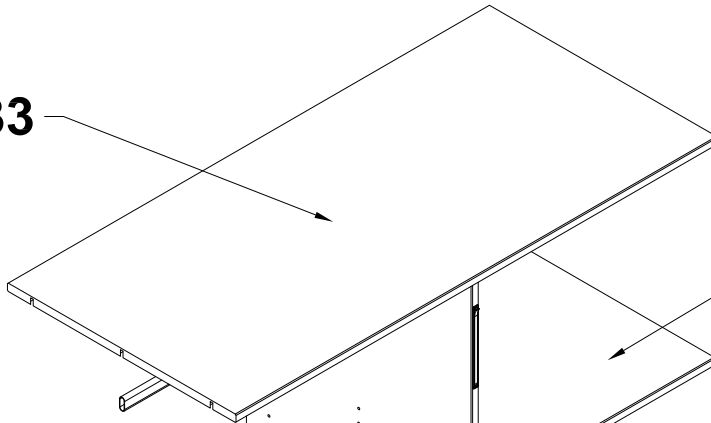
x30

172



x30

099333

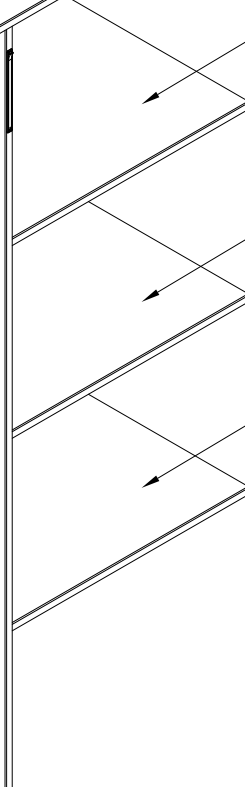


098333

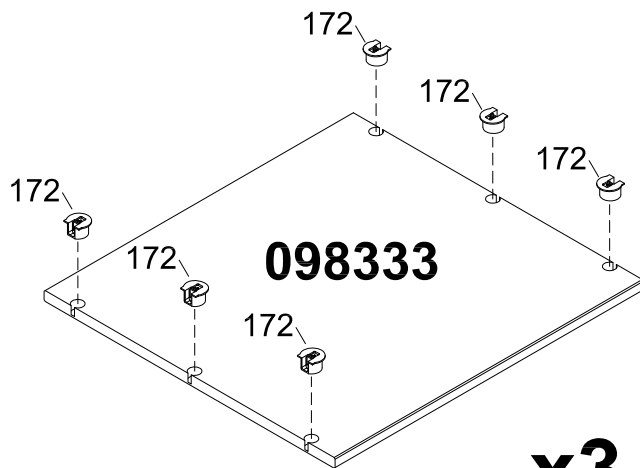
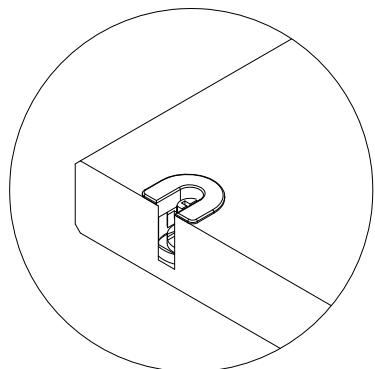
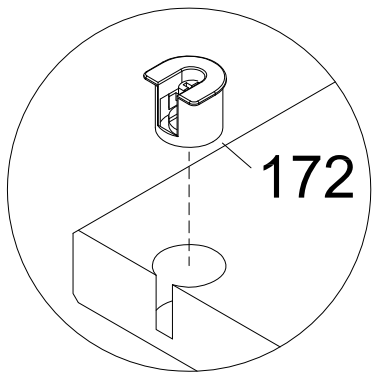
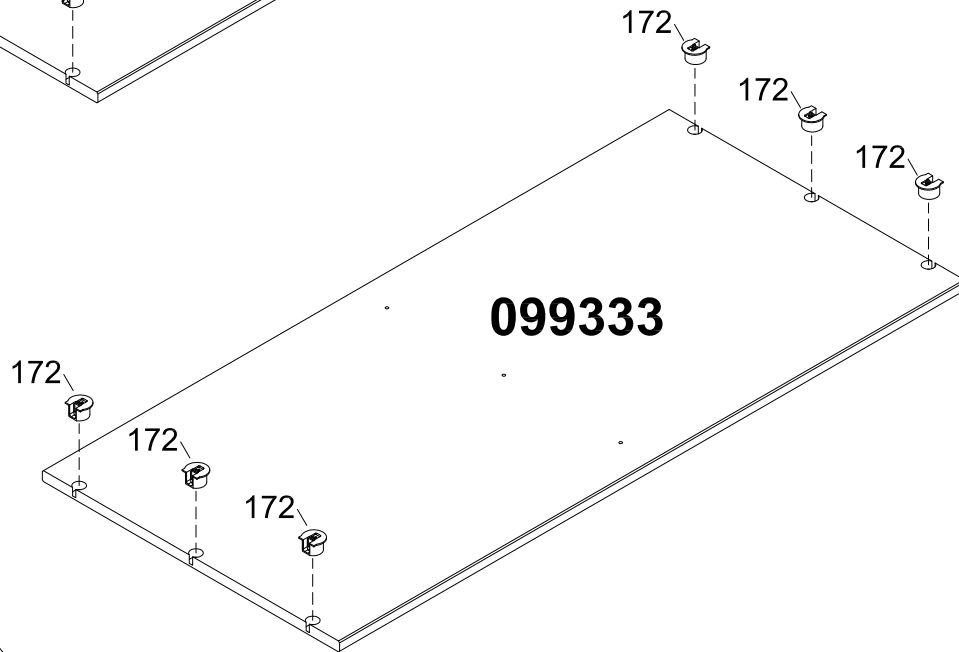
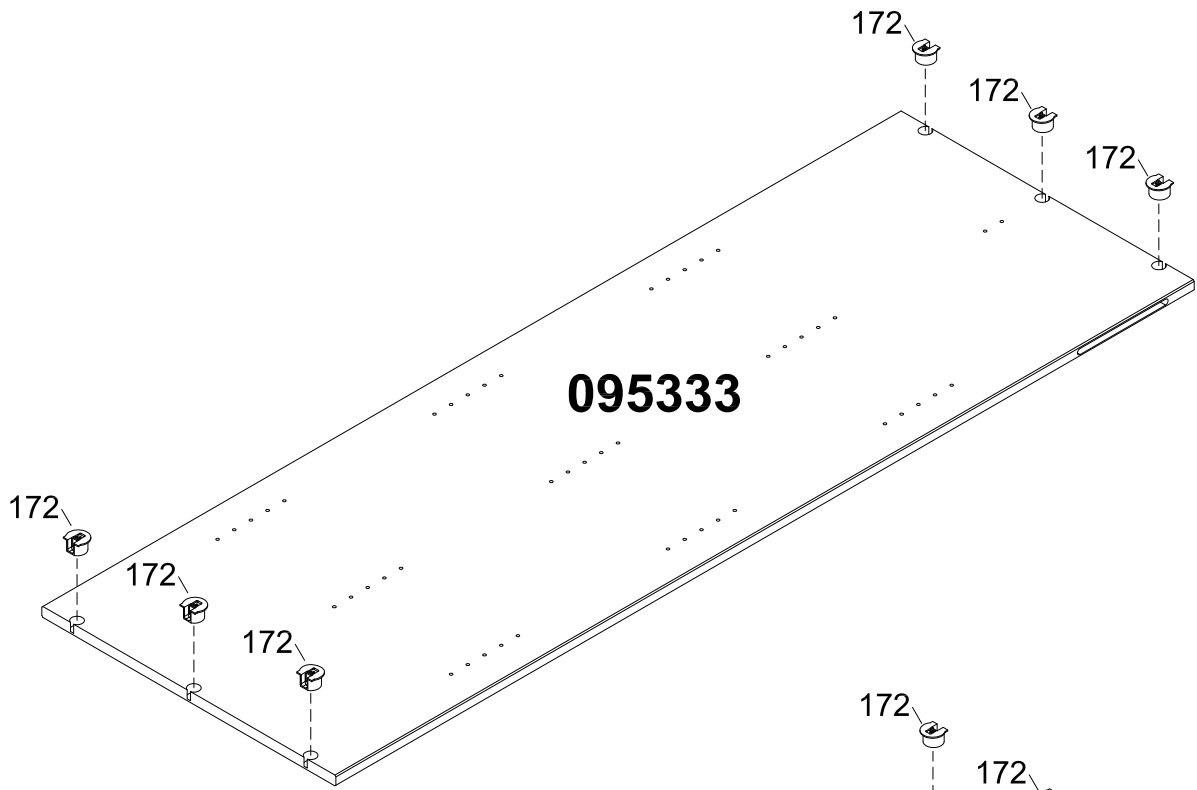
098333

098333

095333

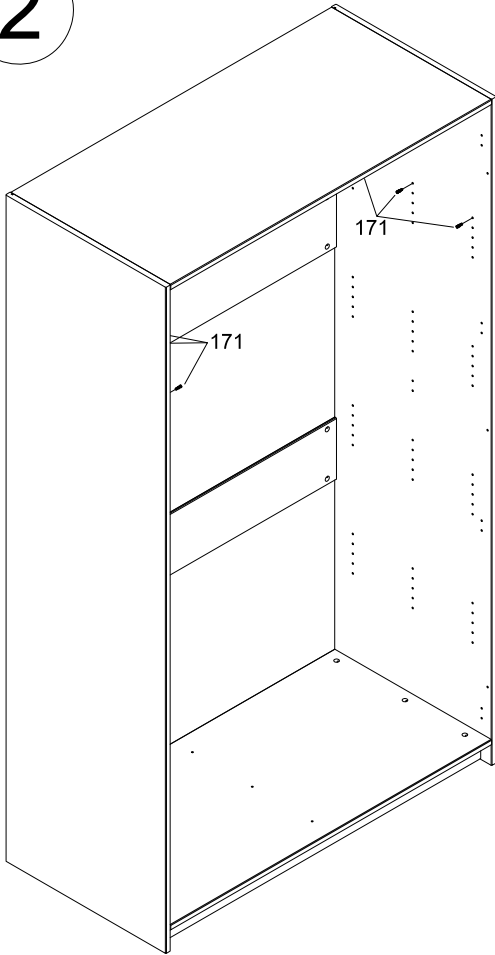


1



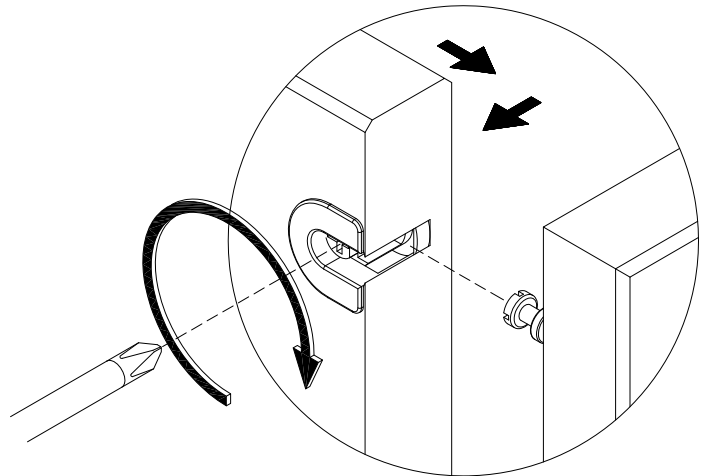
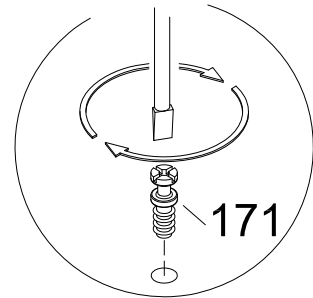
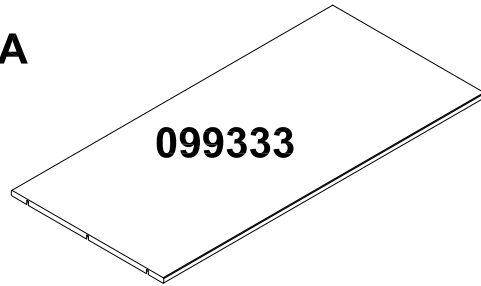
x3

2

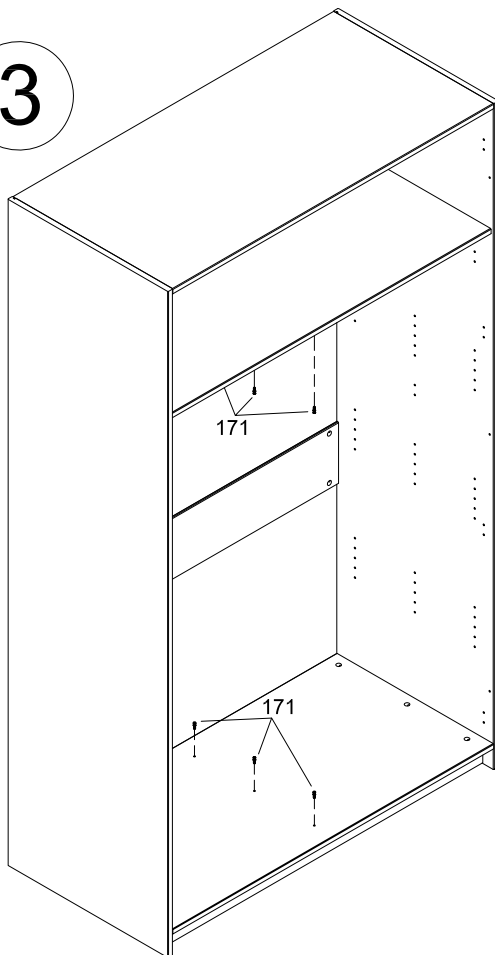


B ↓

← A

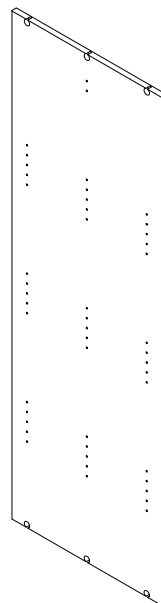


3



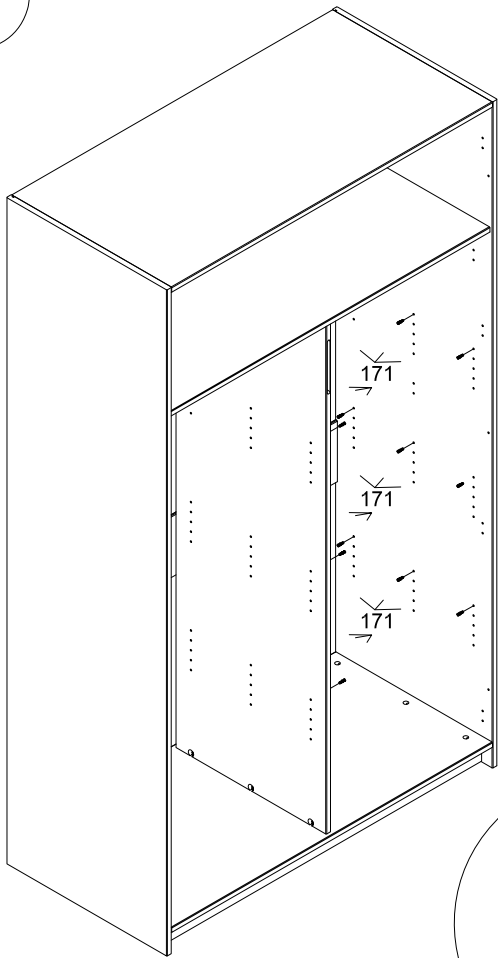
B ←

← A

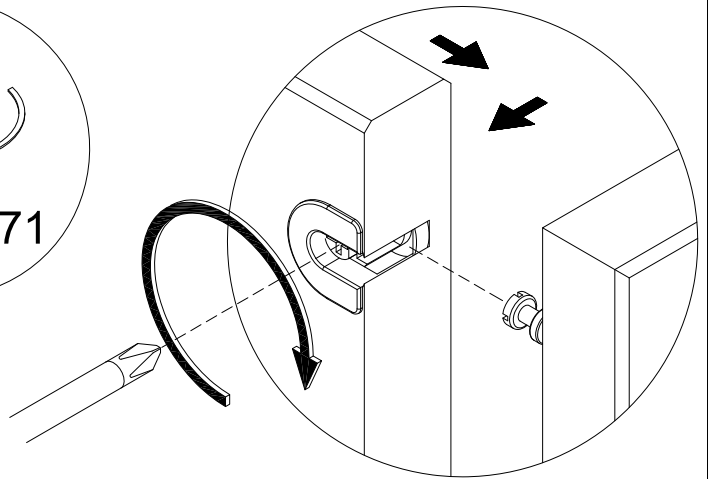
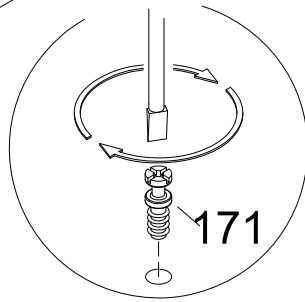
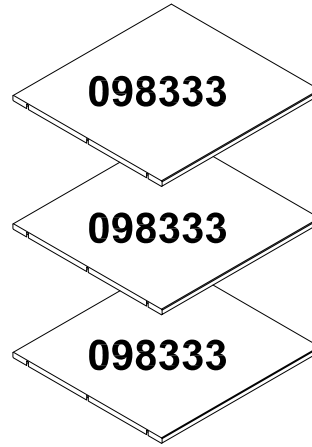


095333

4



A  
B



5

