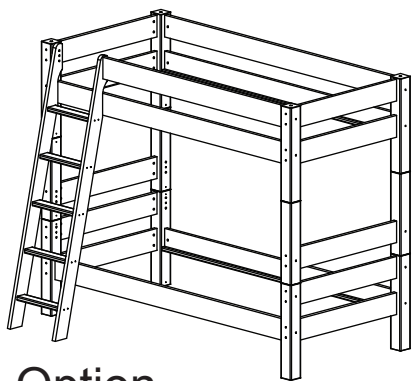
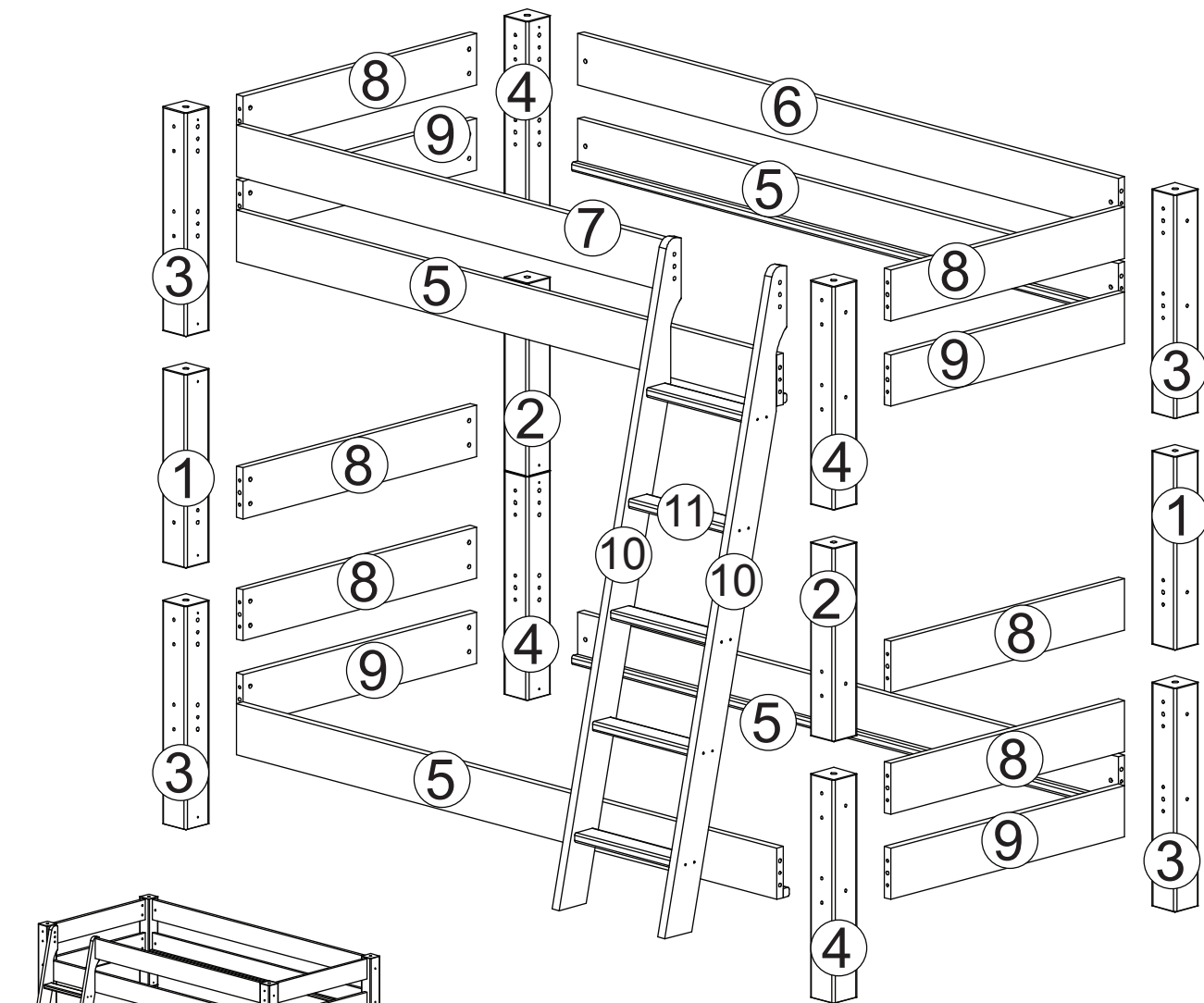
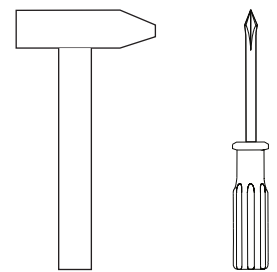


# art. no. 1072



Option

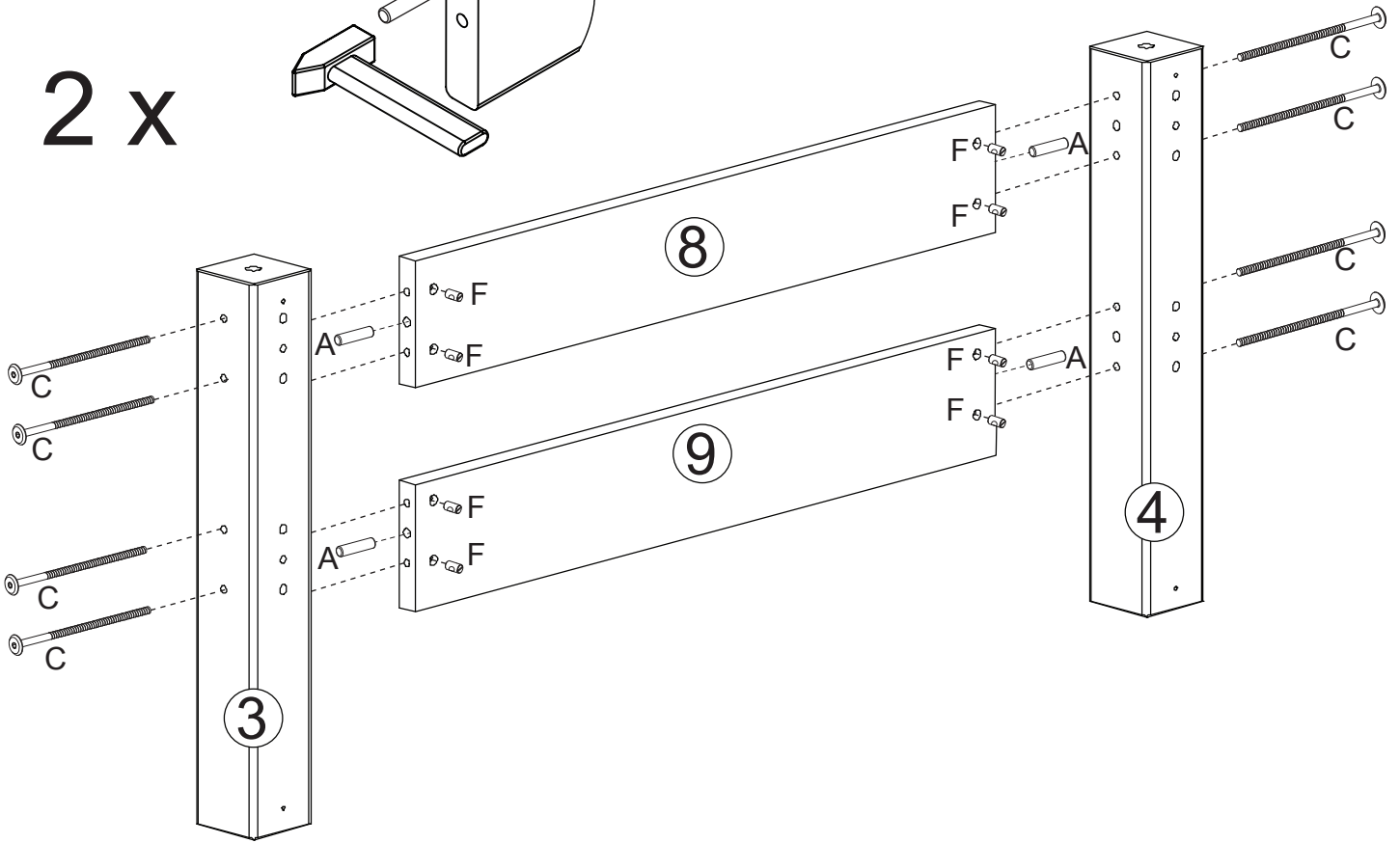
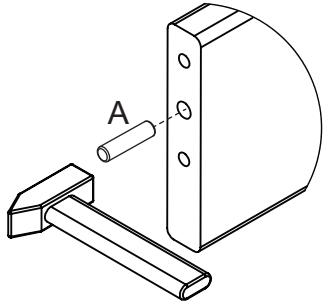


A		Ø10x40mm	46
B		Ø16x75mm	8
C		M6x120mm	51
D		M6x100mm	1
E		M6x55mm	1
F		M6x10x14mm	52
G		M6x8x15mm	1

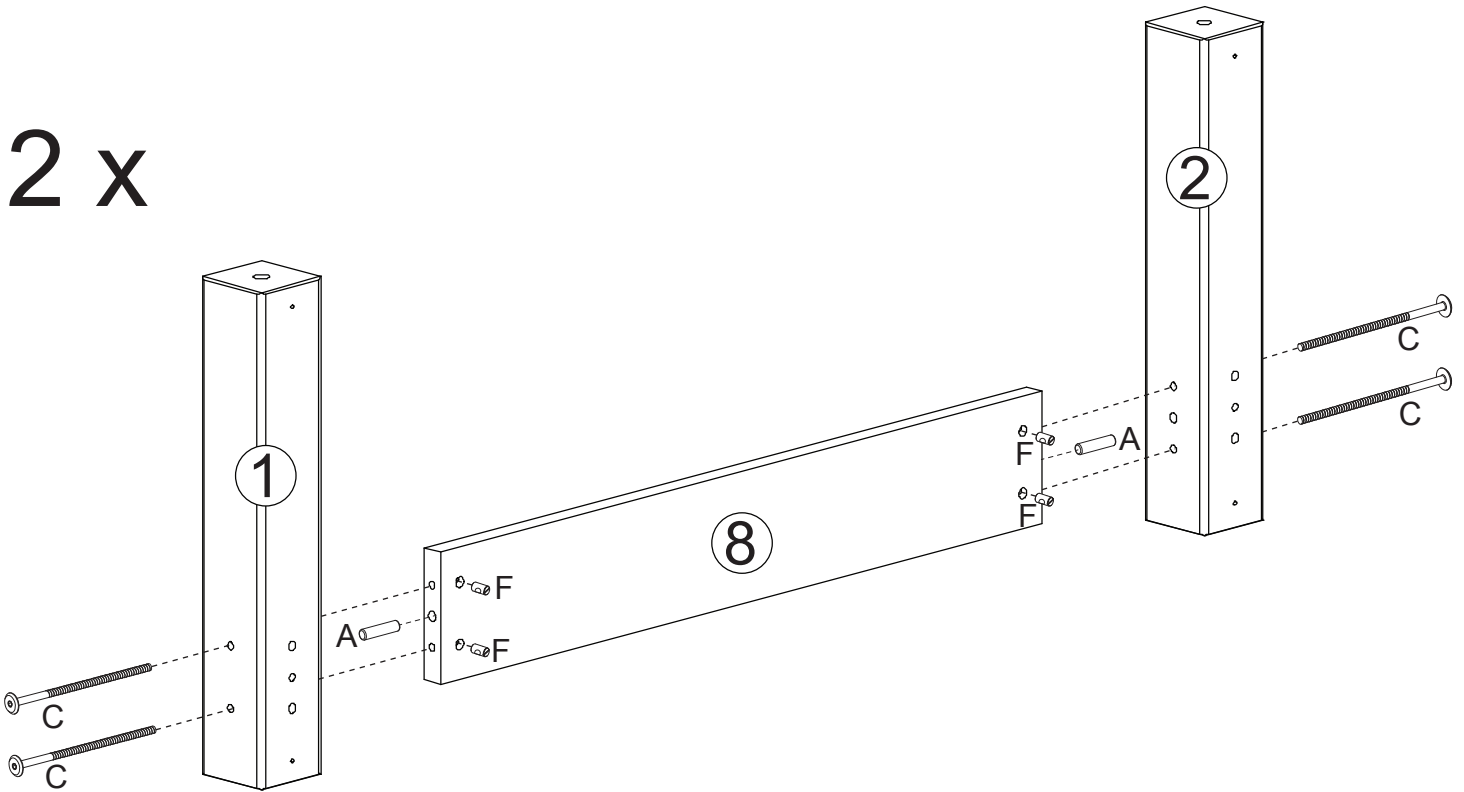
H		6.3x70mm	20
I		4.0x70mm	18
J		3.5x35mm	54
K		Ø16	4
L		Ø10	20
M		Ø8	16
N		4mm	1

1

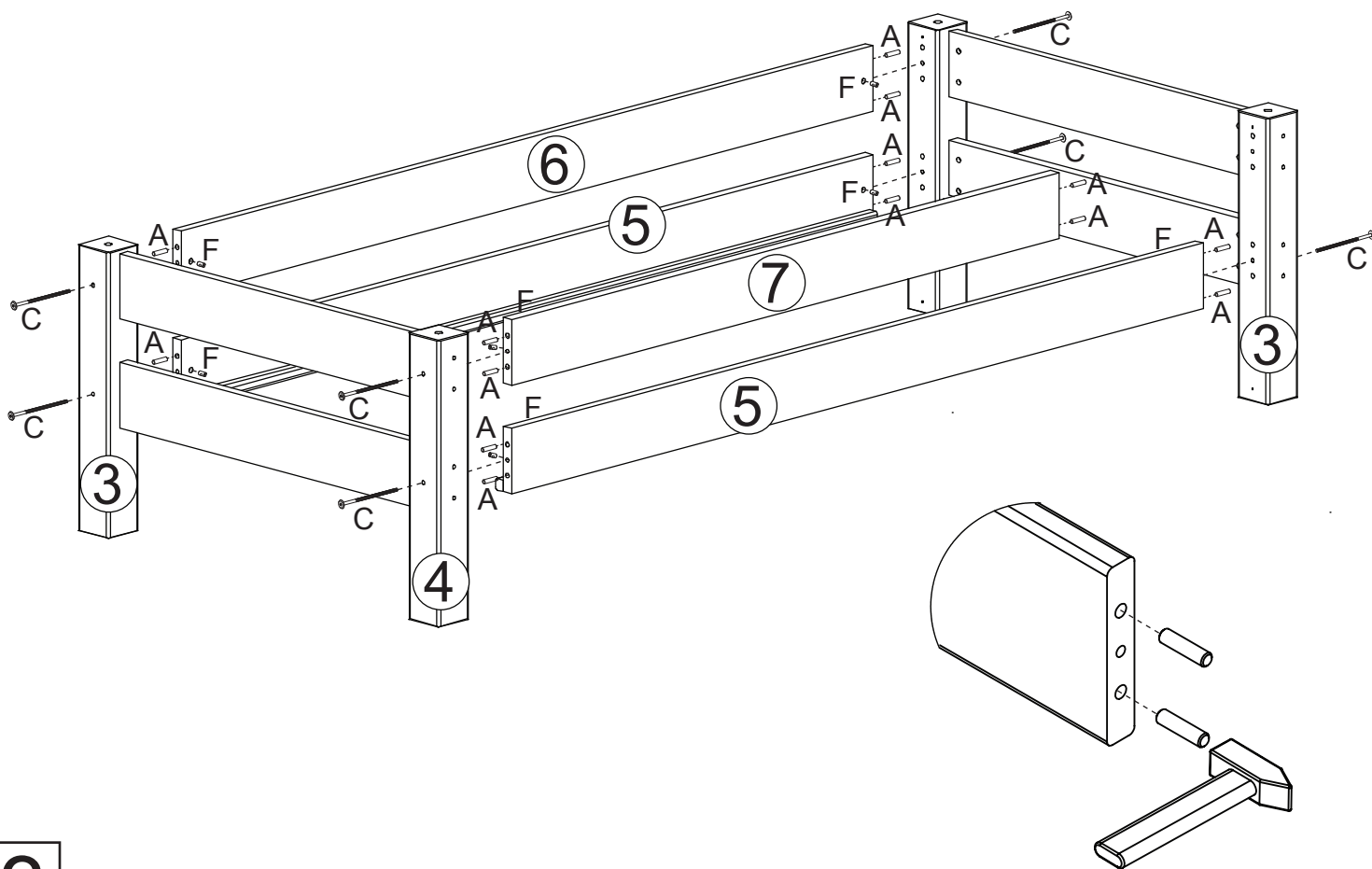
2 x



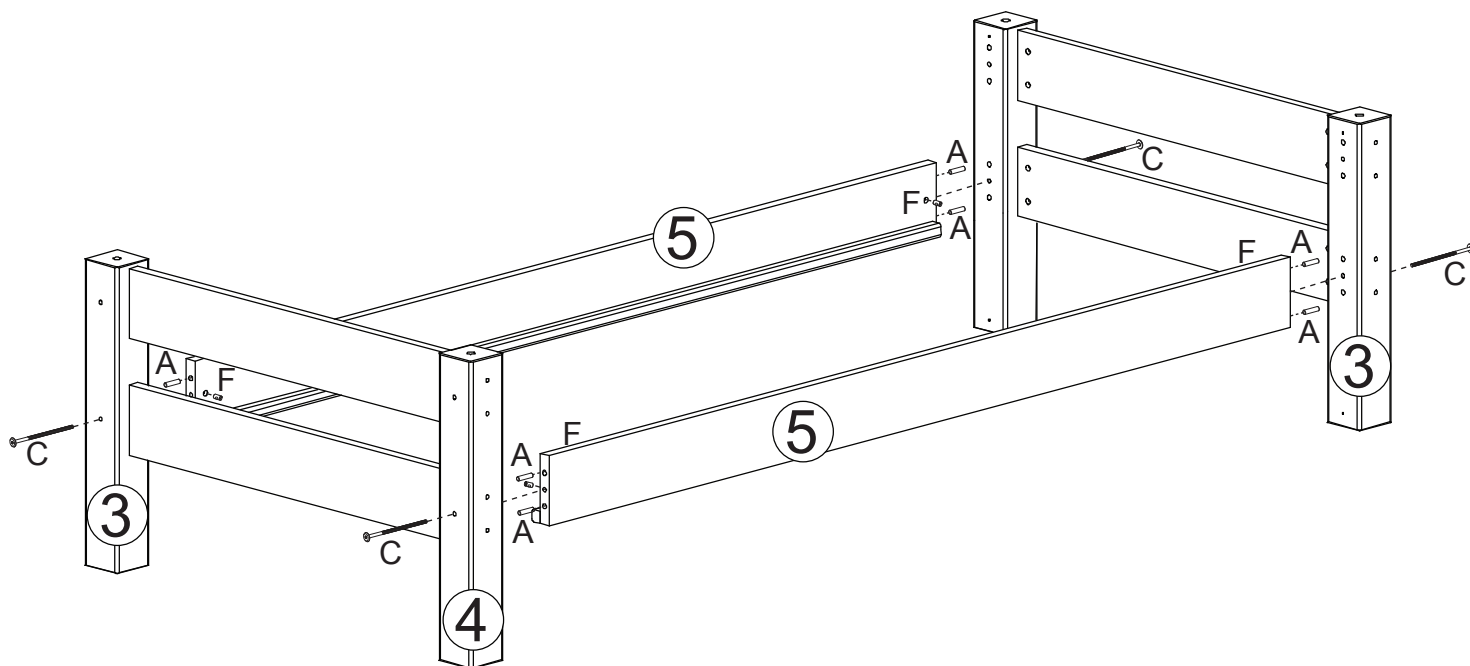
2 x



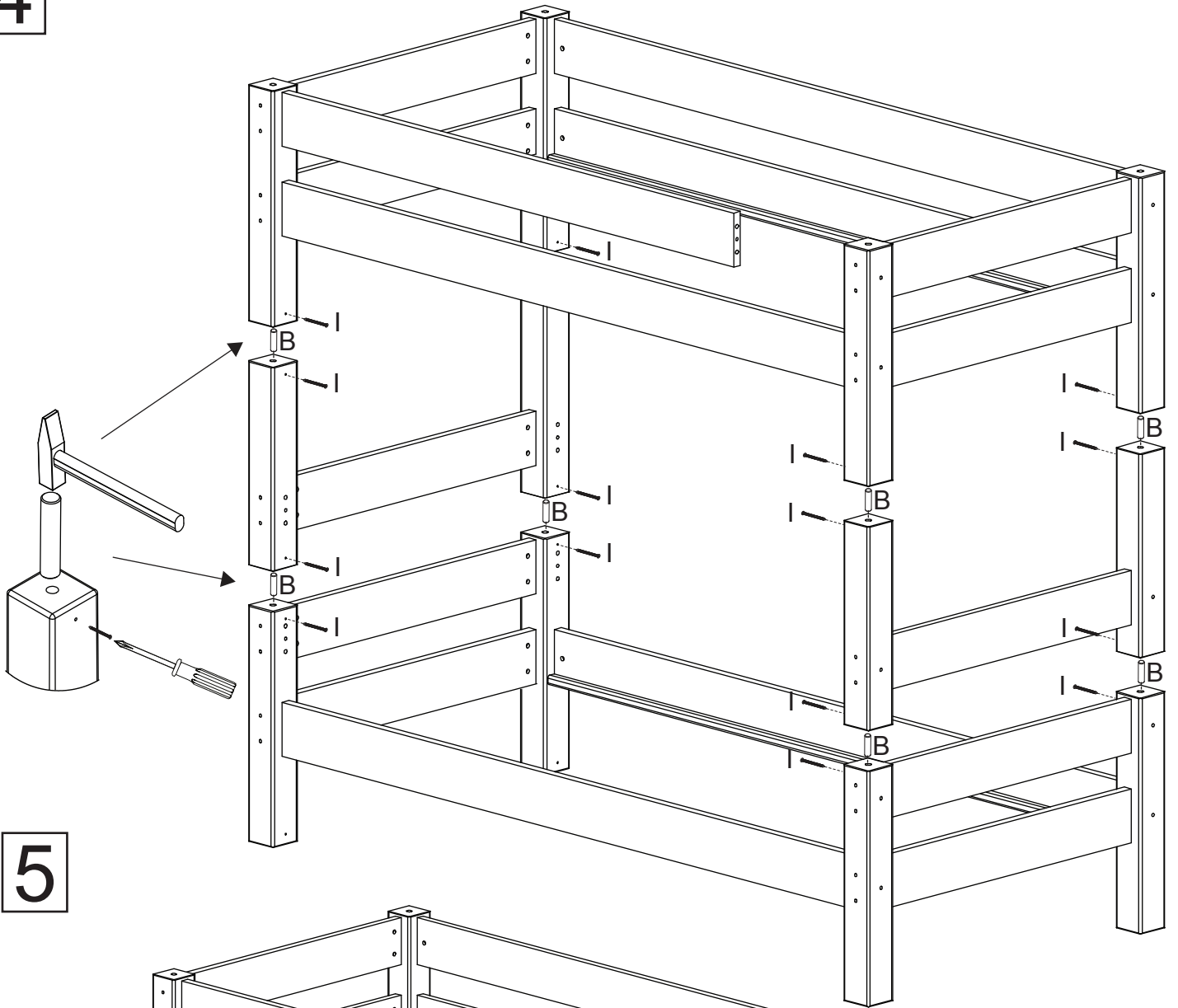
2



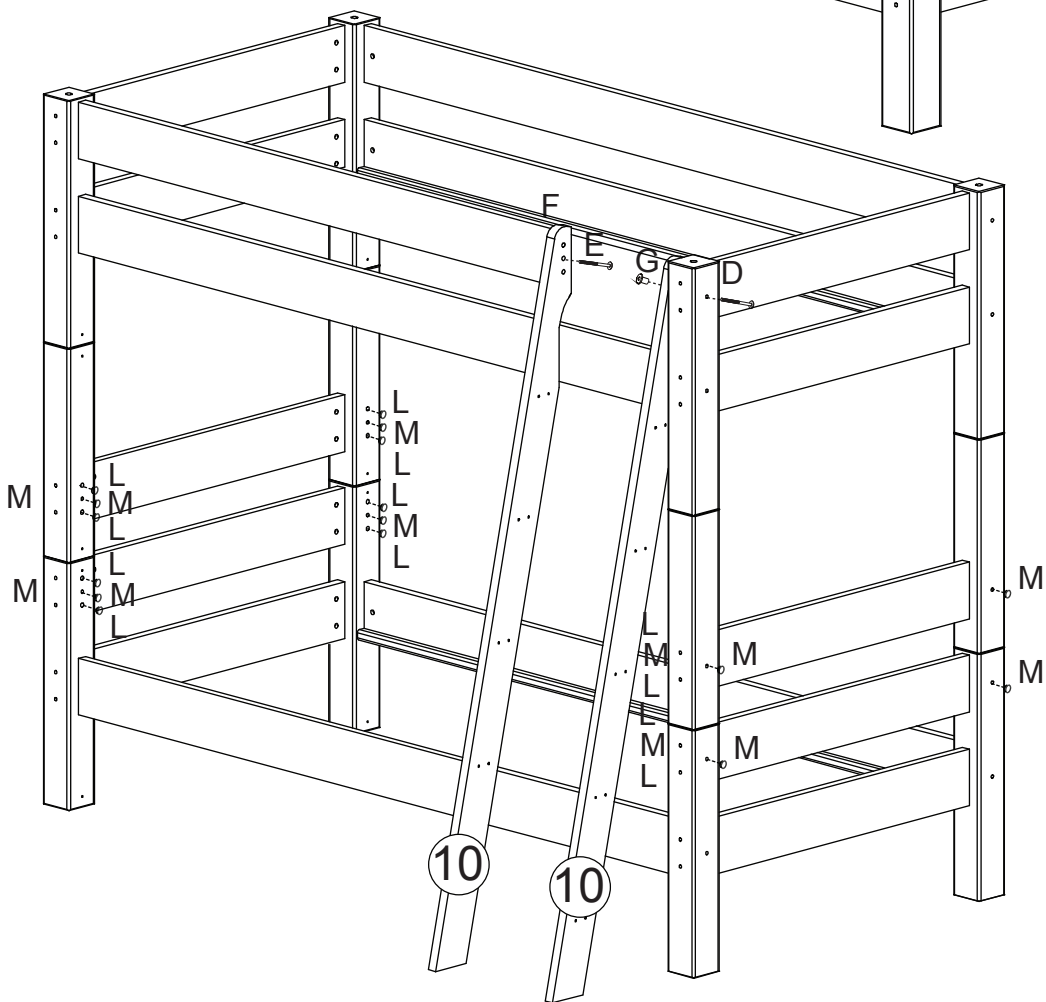
3



4

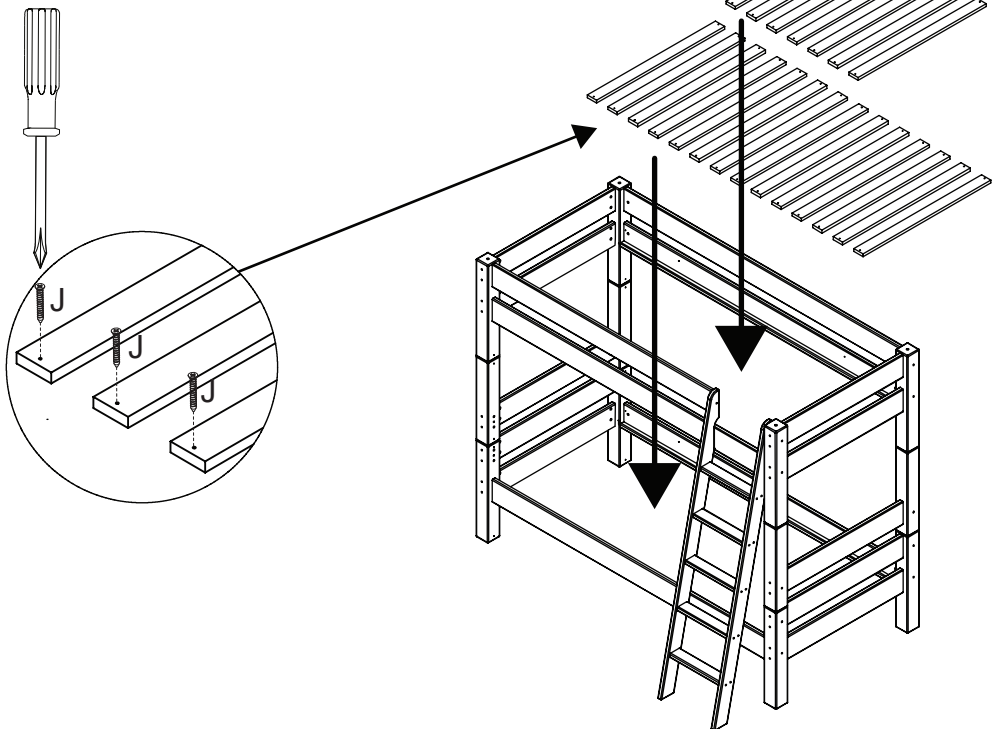
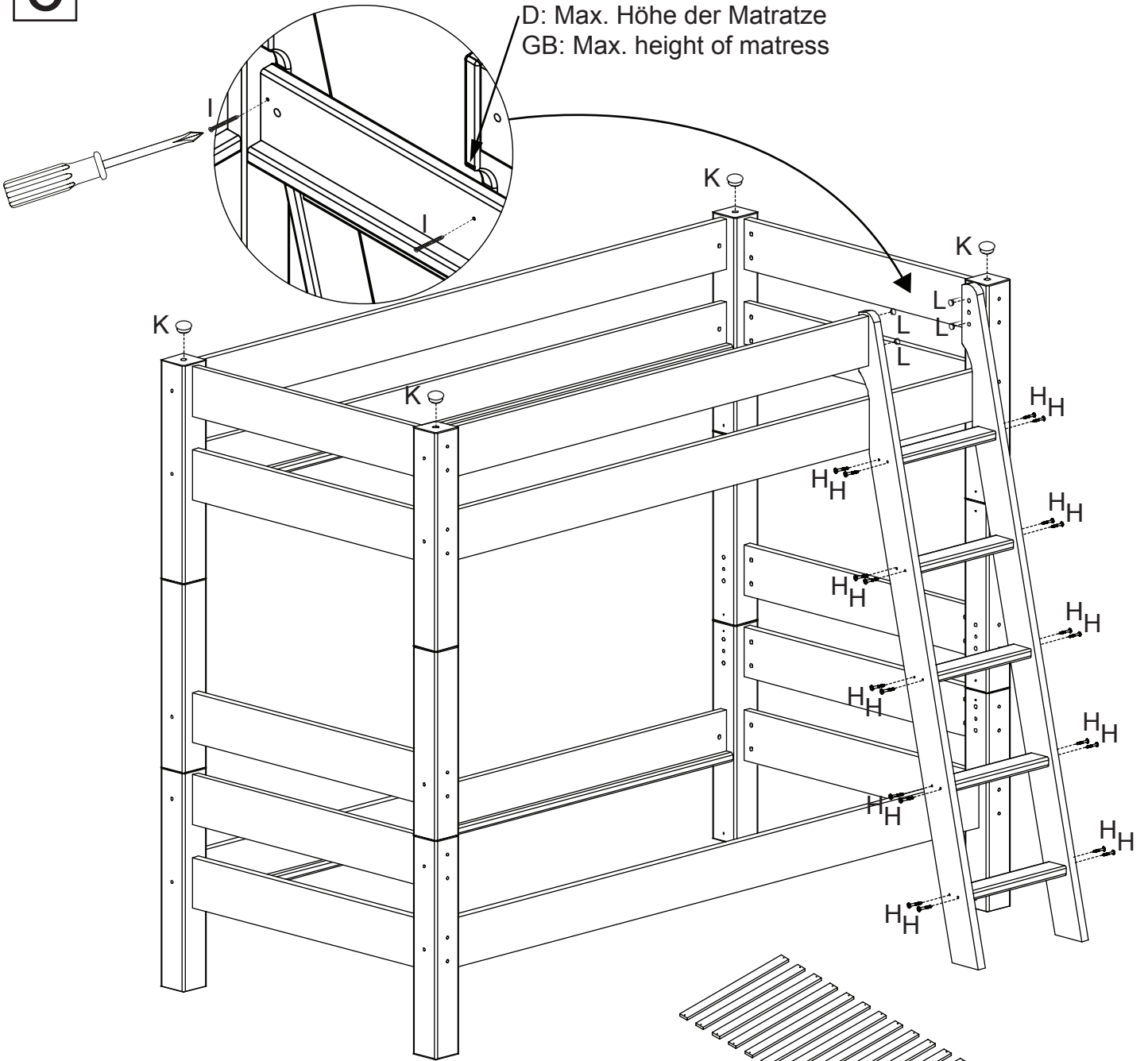


5



6

D: Max. Höhe der Matratze  
GB: Max. height of mattress



art. no. 1073

