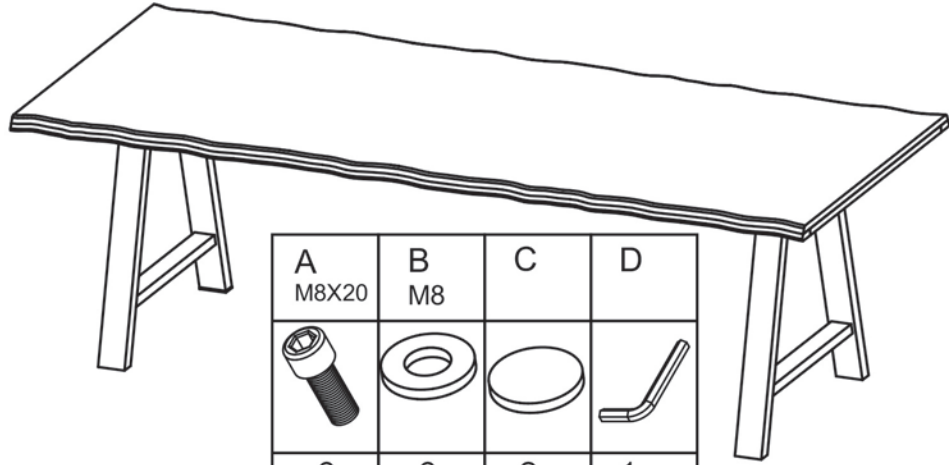




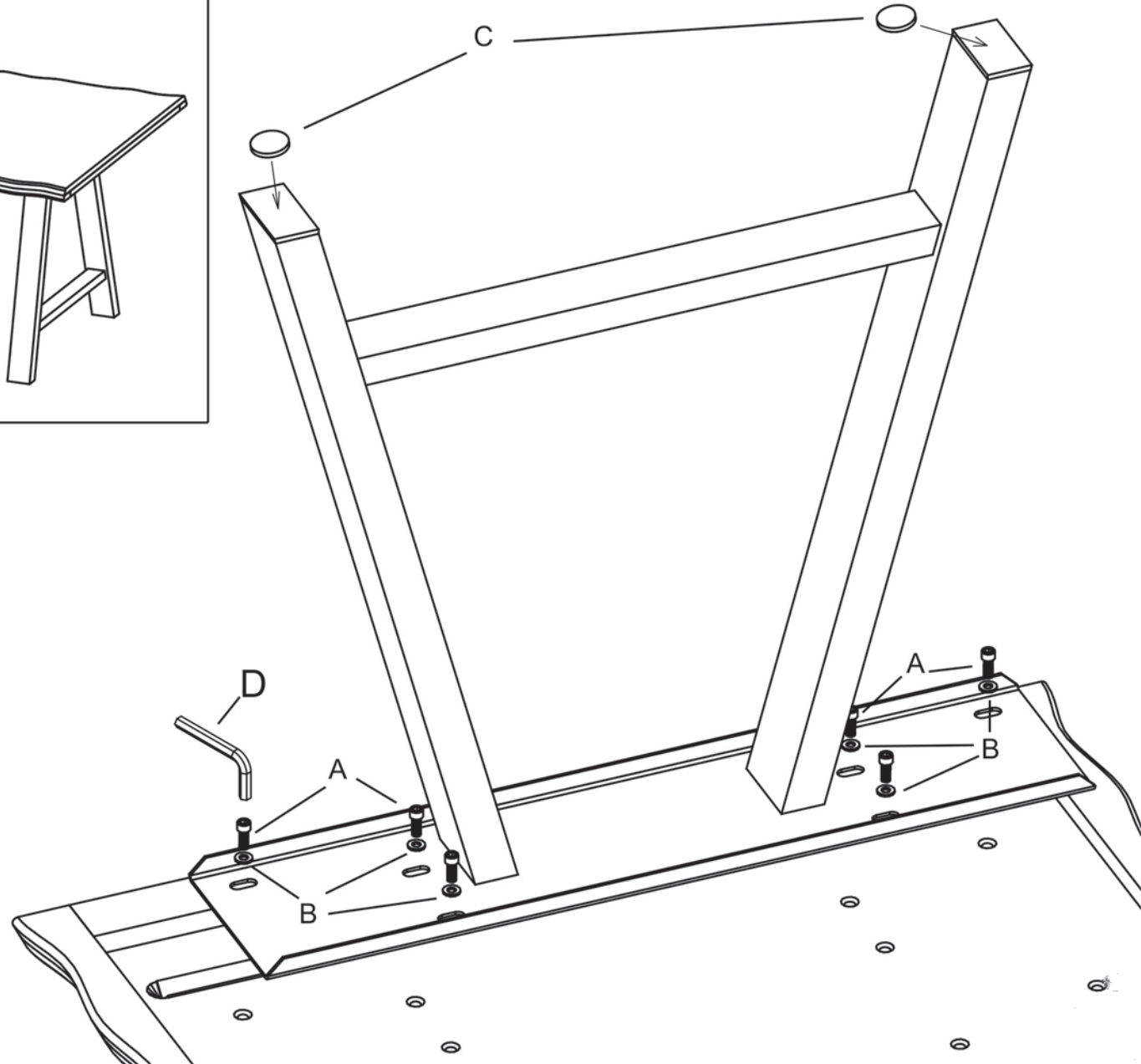


# ASSEMBLY INSTRUCTION



A	B	C	D
M8X20	M8		
			
6	6	2	1



A	B	C	D
M8X20	M8		
