



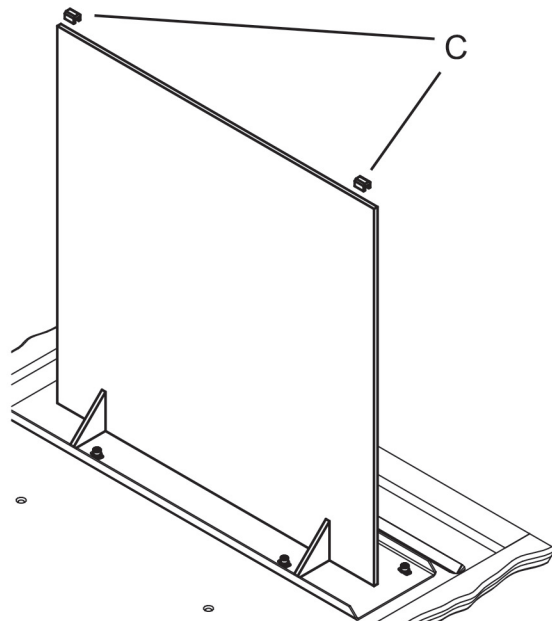


ASSEMBLY INSTRUCTION

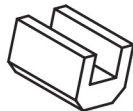


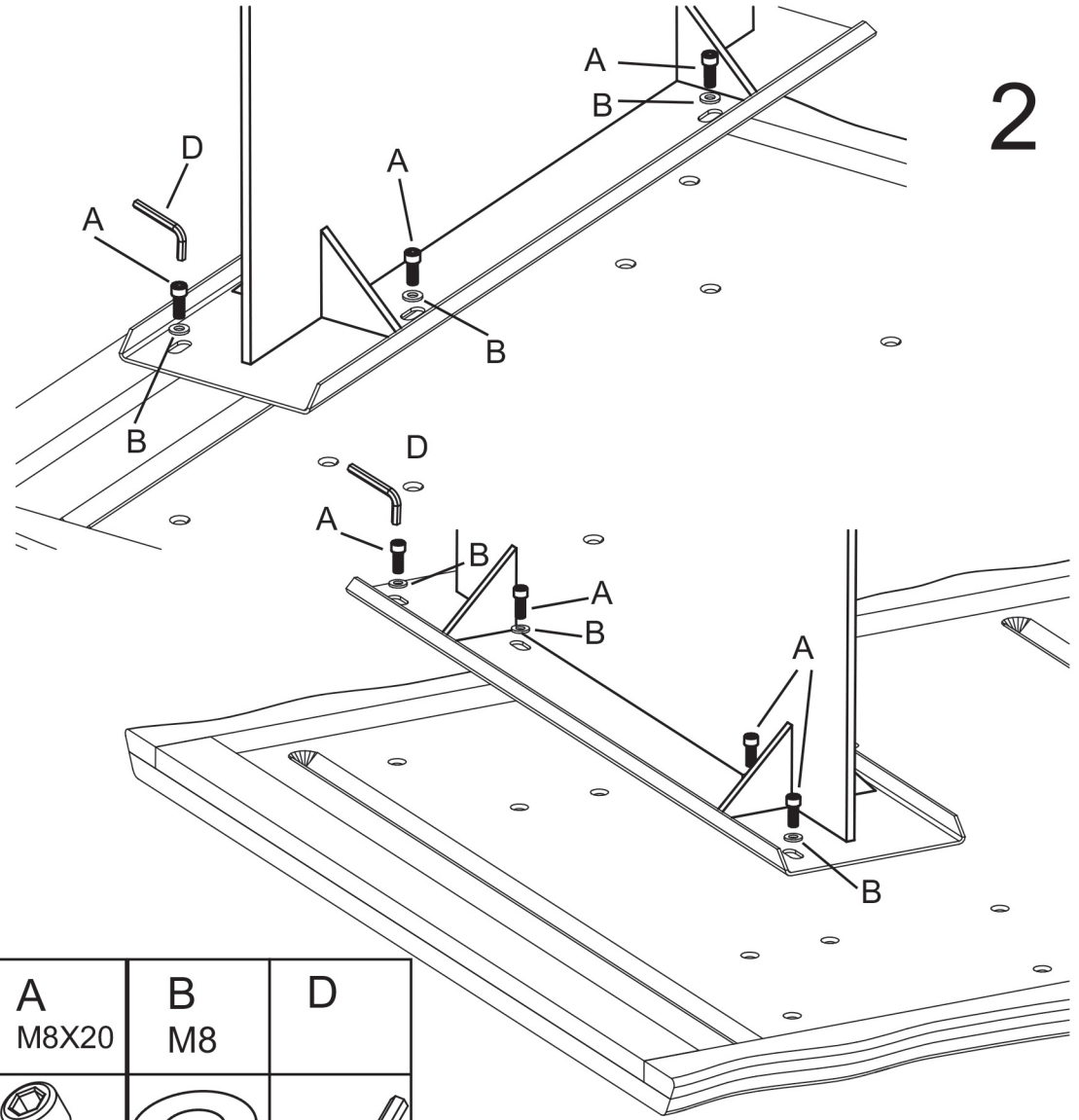
1

A	B	C	D
M8X20	M8		
			
6	6	2	1



3

C




2

A	B	D
M8X20	M8	
