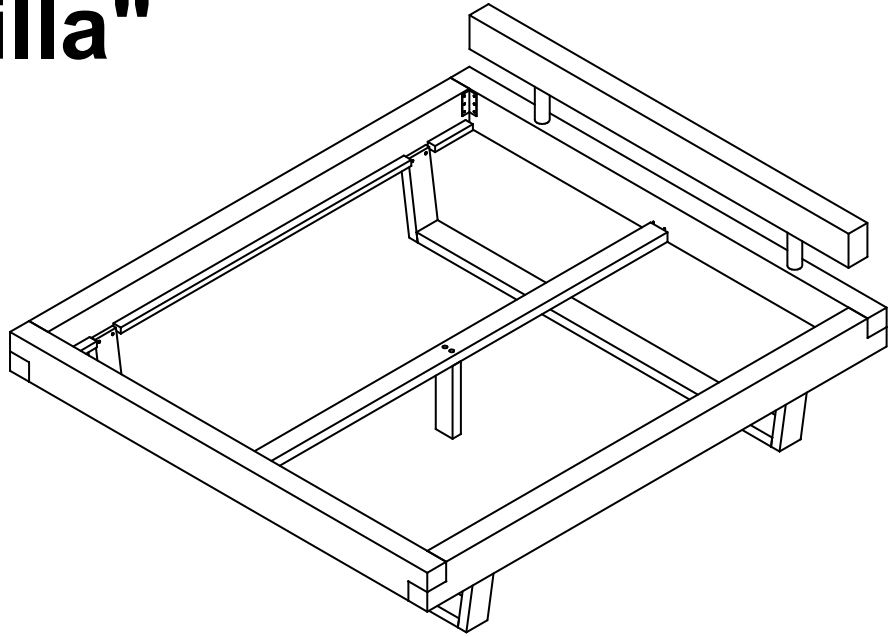
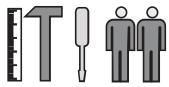
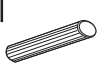


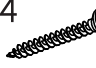






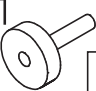





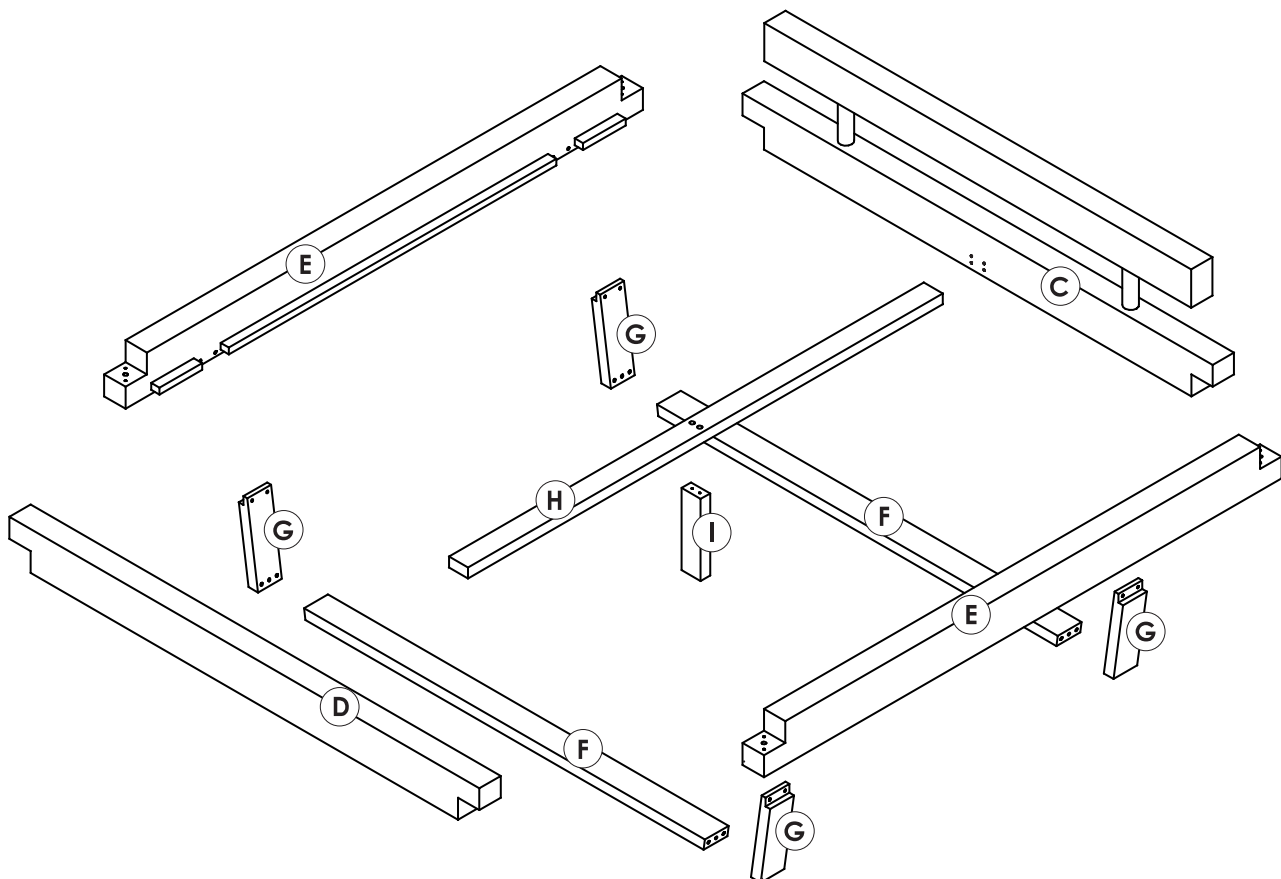
# BETT "Astilla"



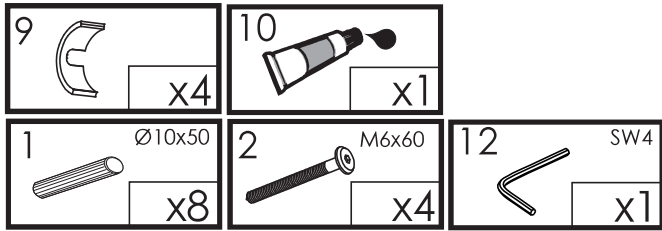
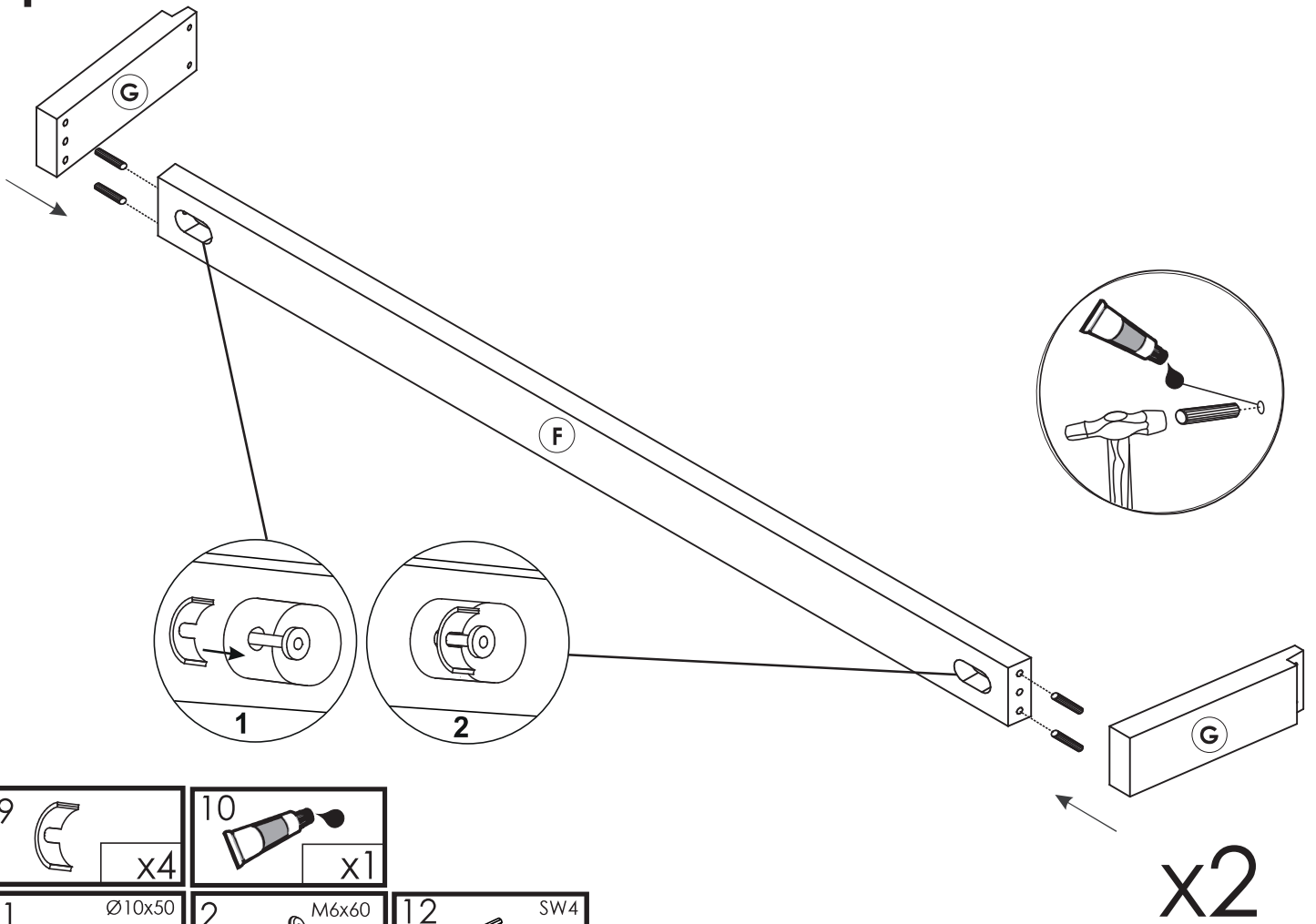
Aufbauzeit - 40 Minuten 



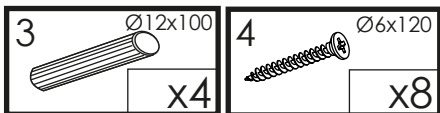
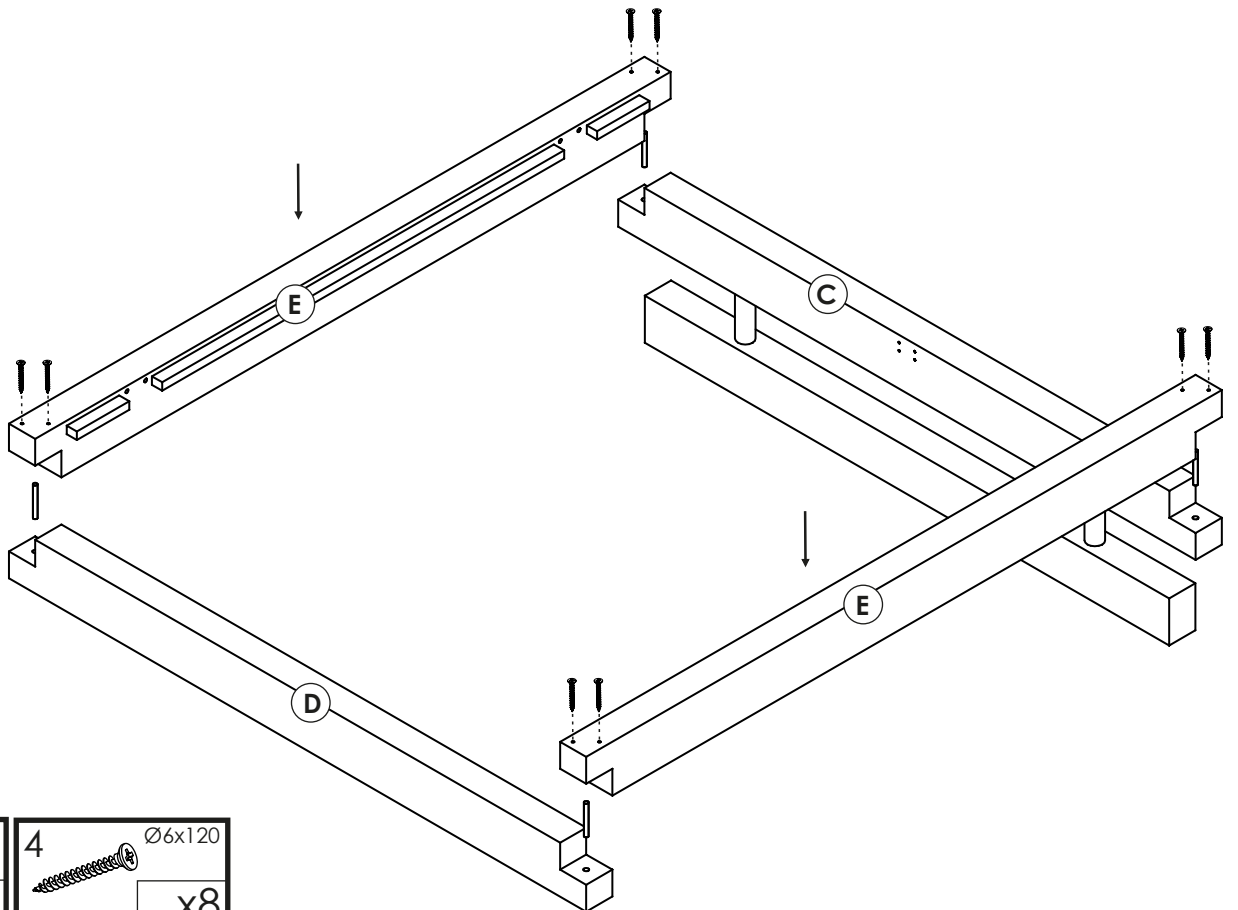
1  Ø10x50 x8	2  M6x60 x12	3  Ø12x100 x4	4  Ø6x120 x8	5  35x35x90 x4	6  Ø3,5x30 x24
7  x2	8  x2	9  x4	10  x1	11  x1	12  SW4 x1
13  Ø 5x55 x2	14  Ø3,0x25 x14				



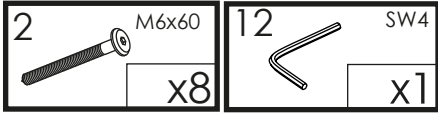
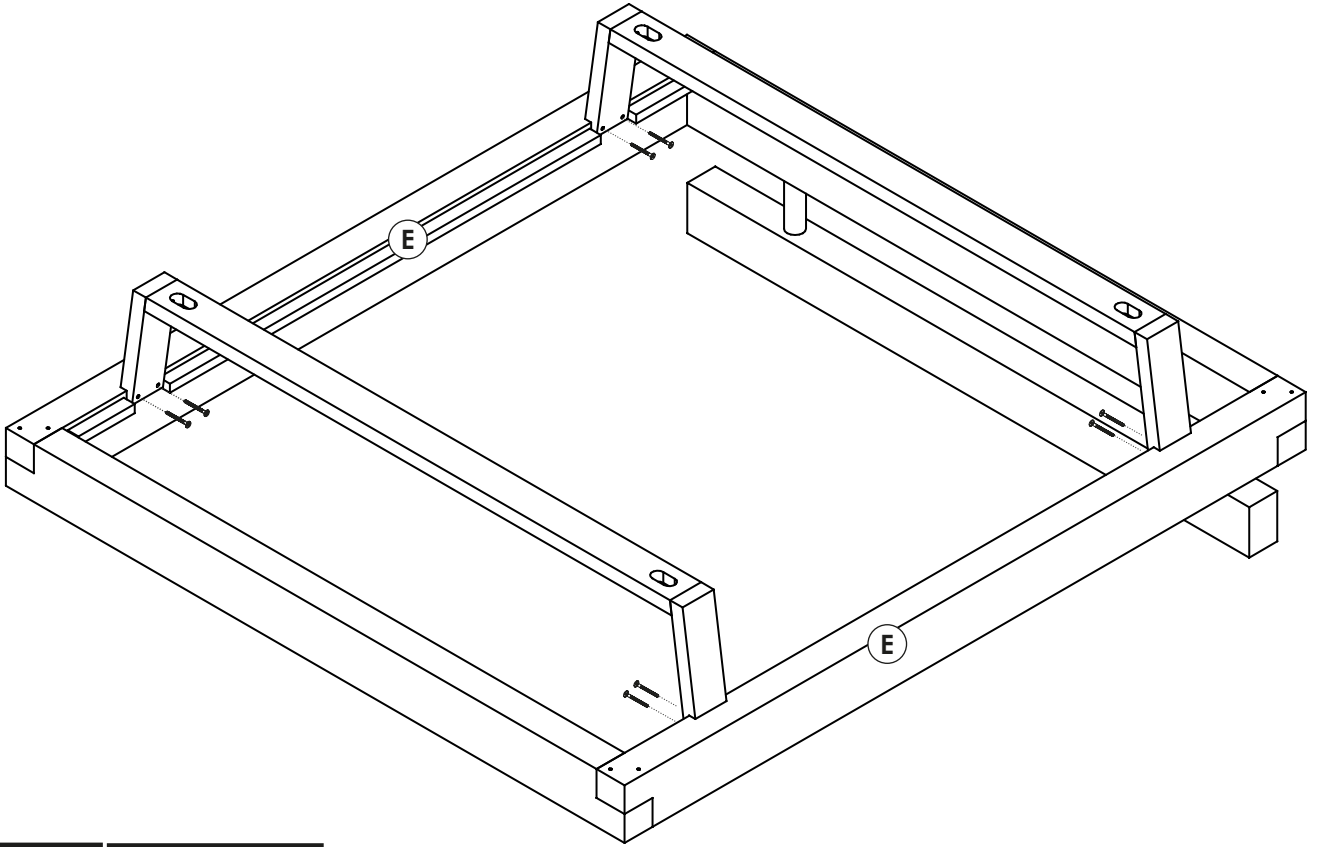
1



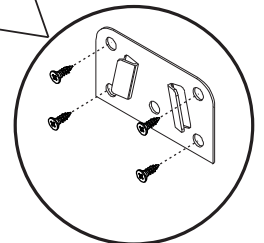
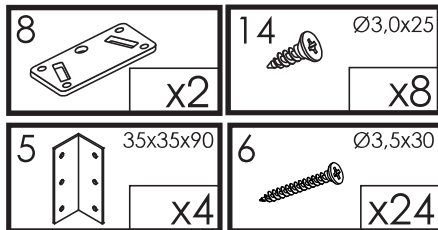
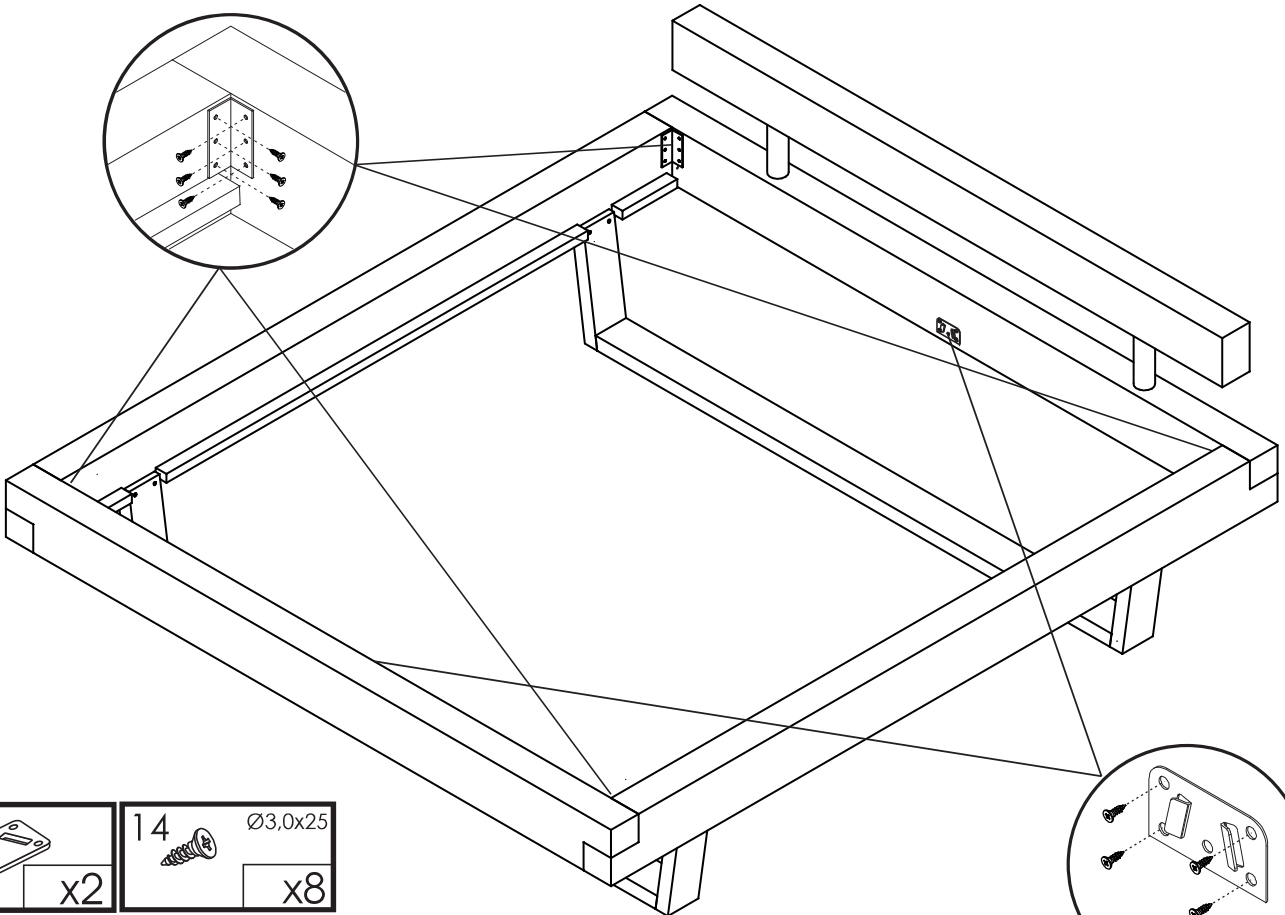
2



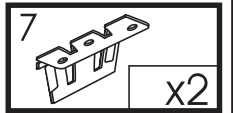
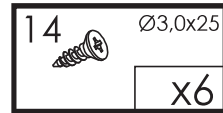
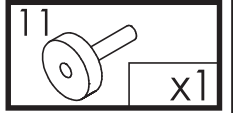
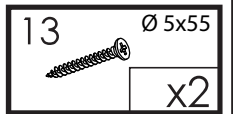
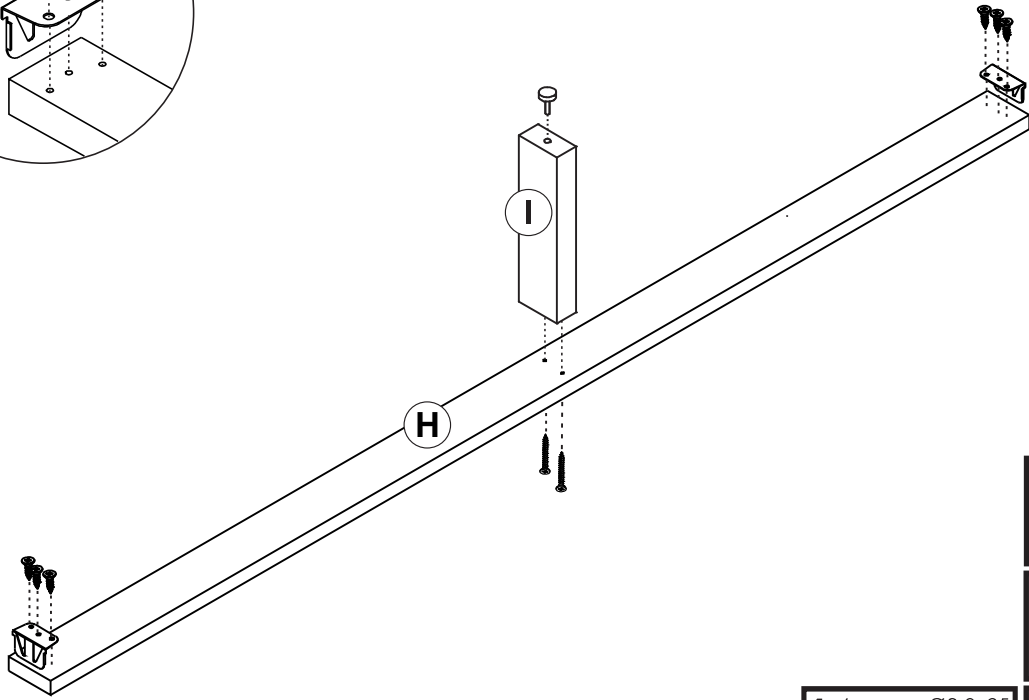
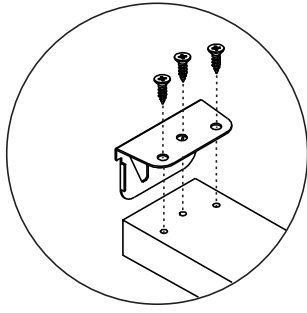
# 3



# 4



5



6

