






















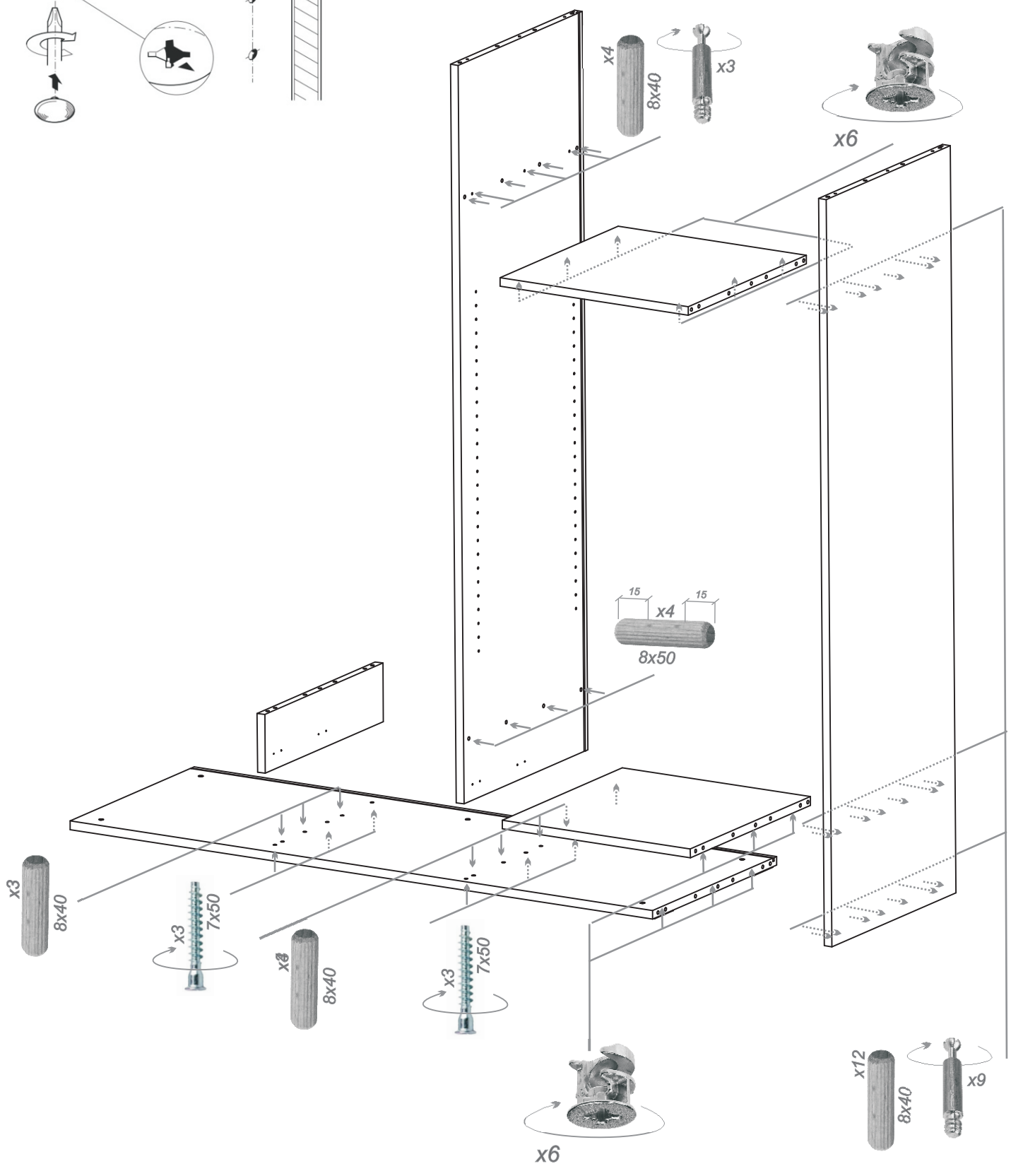
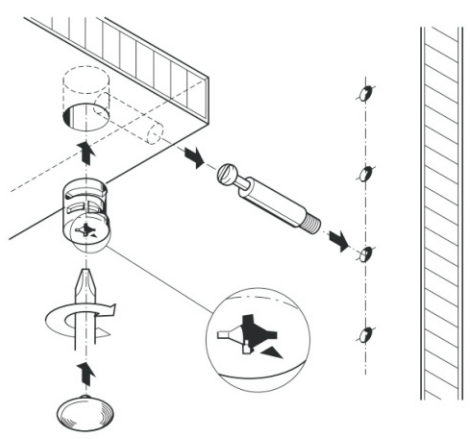
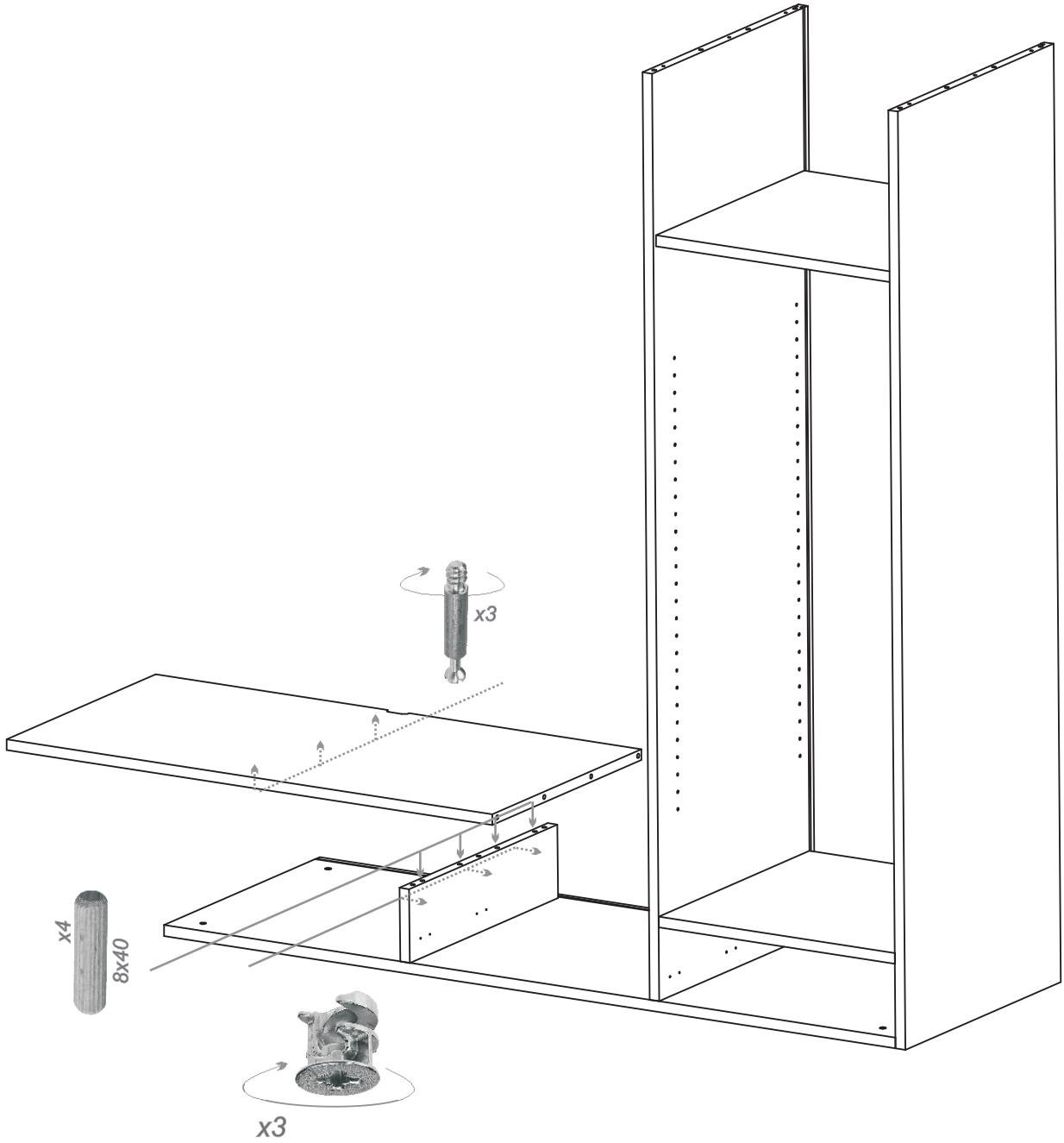
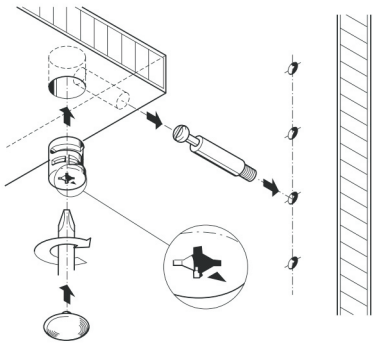
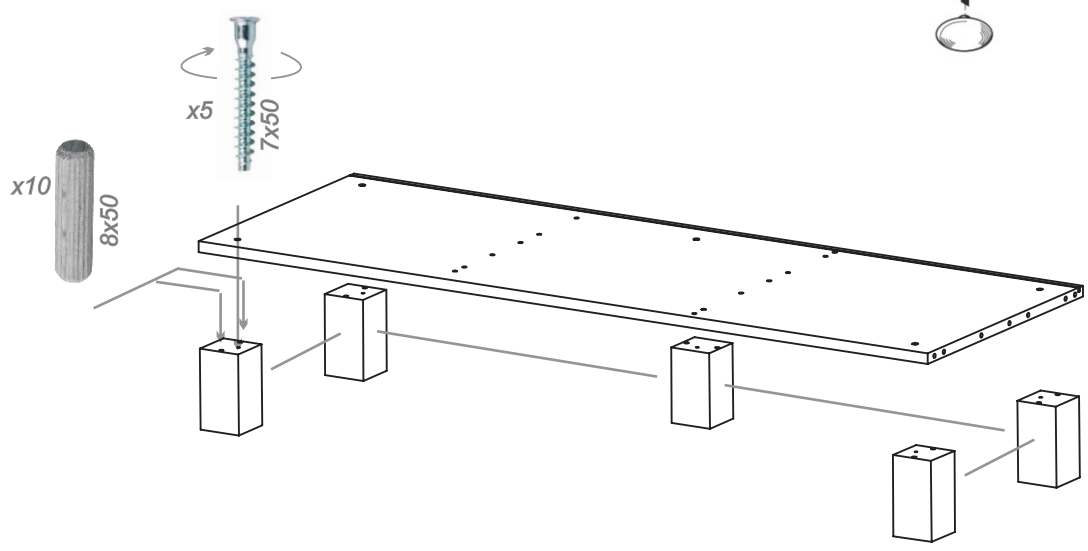
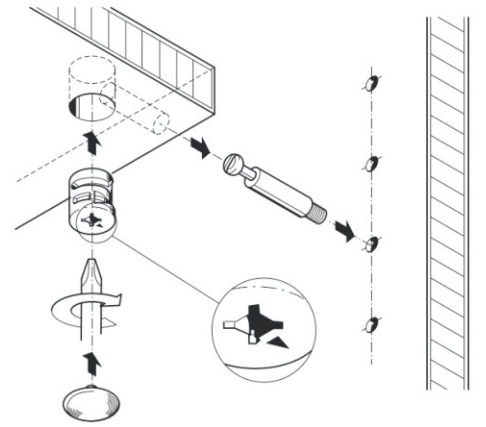
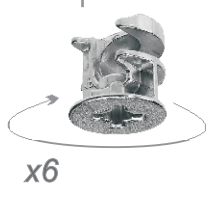
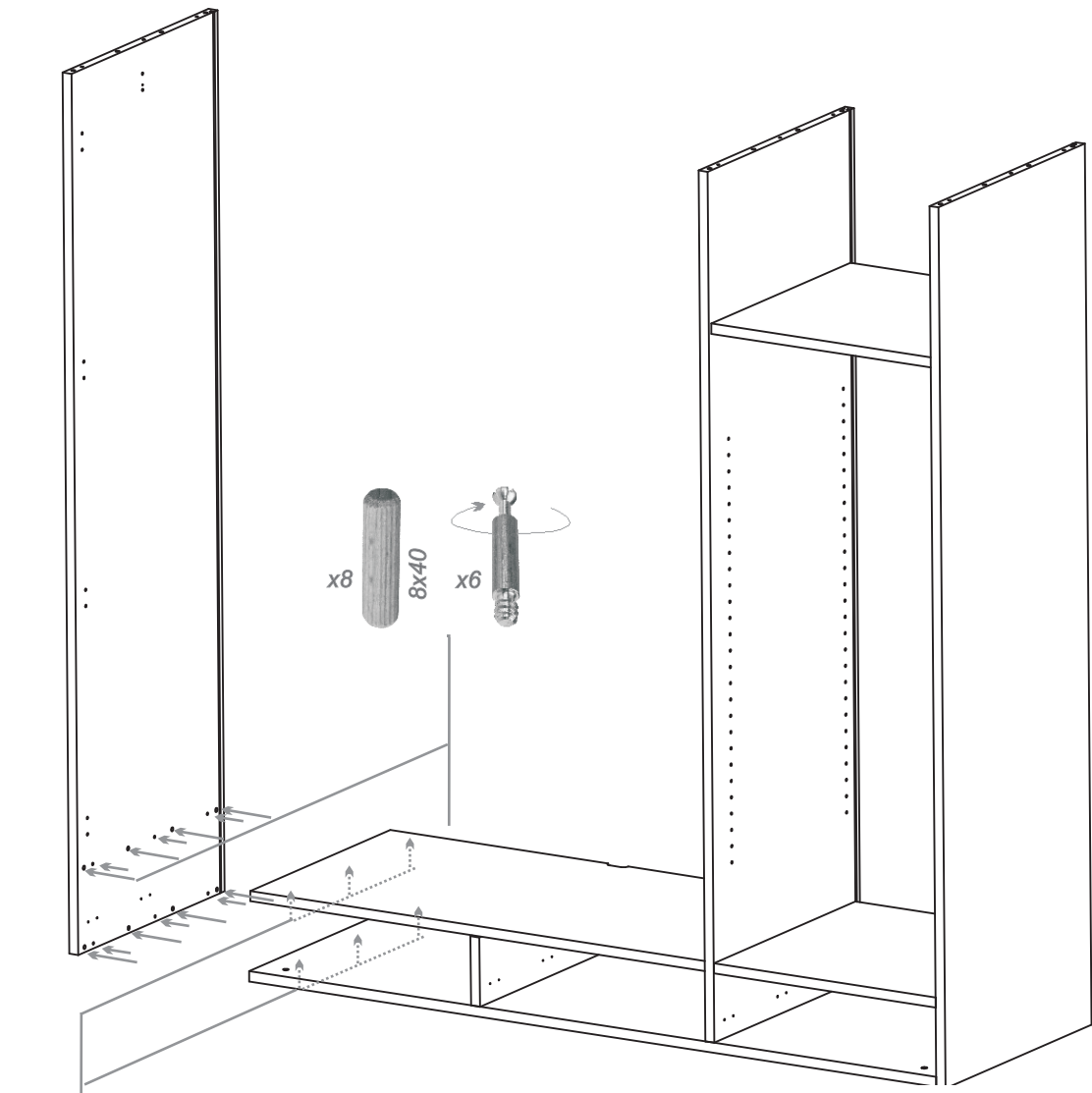


<p>01</p> <p>Ø8x40</p>  <p>x 46</p>	<p>02</p> <p>Ø8x50</p>  <p>x 15</p>	<p>03</p> <p>l=41</p>  <p>x 21</p>	<p>04</p> <p>Ø7x50</p>  <p>x 20</p>	<p>05</p>  <p>x 21</p>	<p>06</p>  <p>x 12</p>	<p>07</p>  <p>x 1</p>	<p>08</p>  <p>x 2</p>
<p>09</p> <p>Ø3,5x16</p>  <p>x 2</p>	<p>10</p> <p>l=400</p>  <p>x 3</p>	<p>Ø4x16</p>  <p>x 42</p>	<p>H-0</p>  <p>x 8</p>	<p>H-2</p>  <p>x 4</p>	 <p>x 8</p>	 <p>x 4</p>	 <p>x 42</p>
<p>Ø4x35</p>  <p>x 1</p>	<p>M4x25</p>  <p>x 12</p>	 <p>x 6</p>	 <p>x 1</p>	 <p>x 1</p>	<p>S4</p>  <p>x 1</p>	<p>Ø2.5x16</p>  <p>x 6</p>	

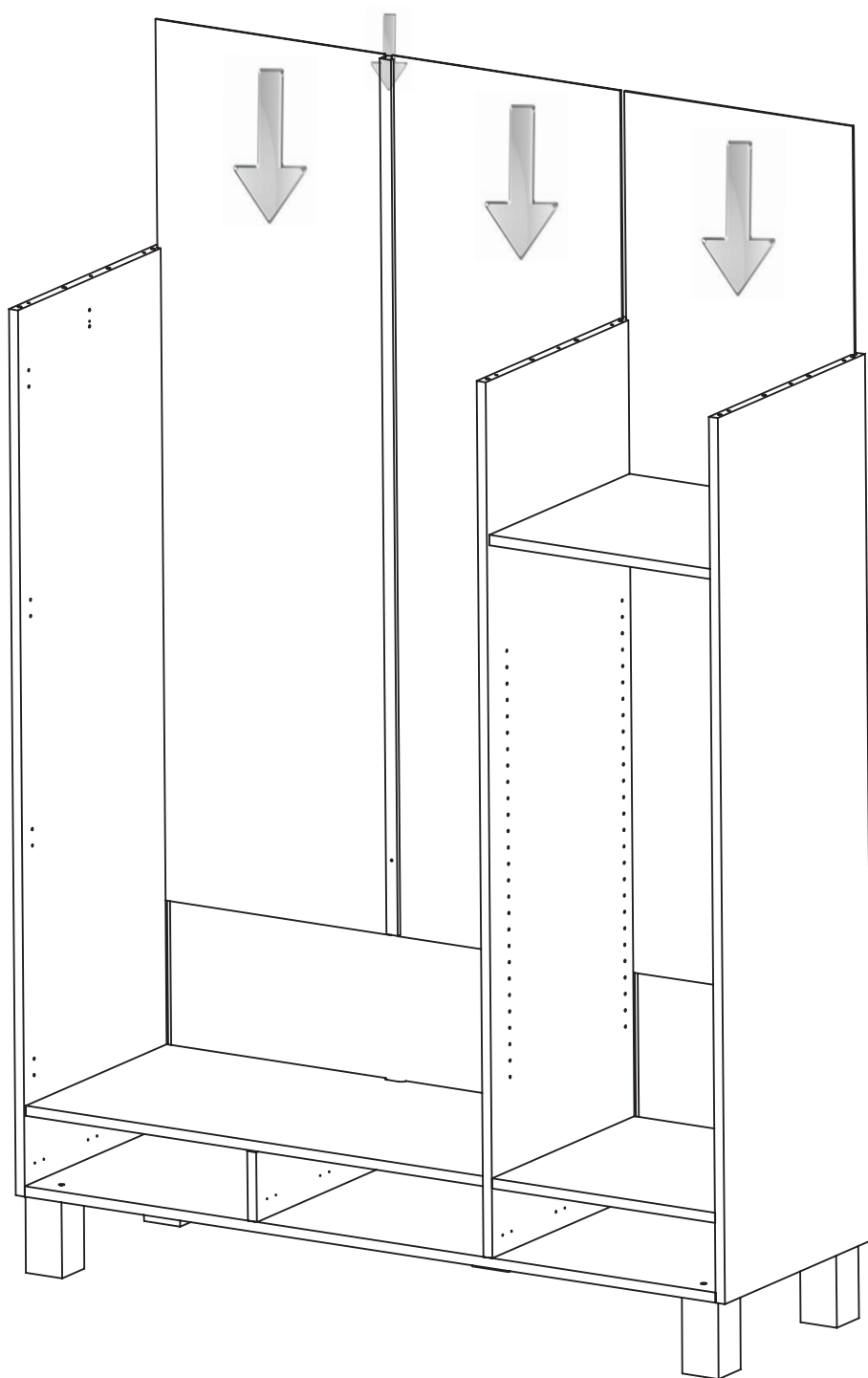


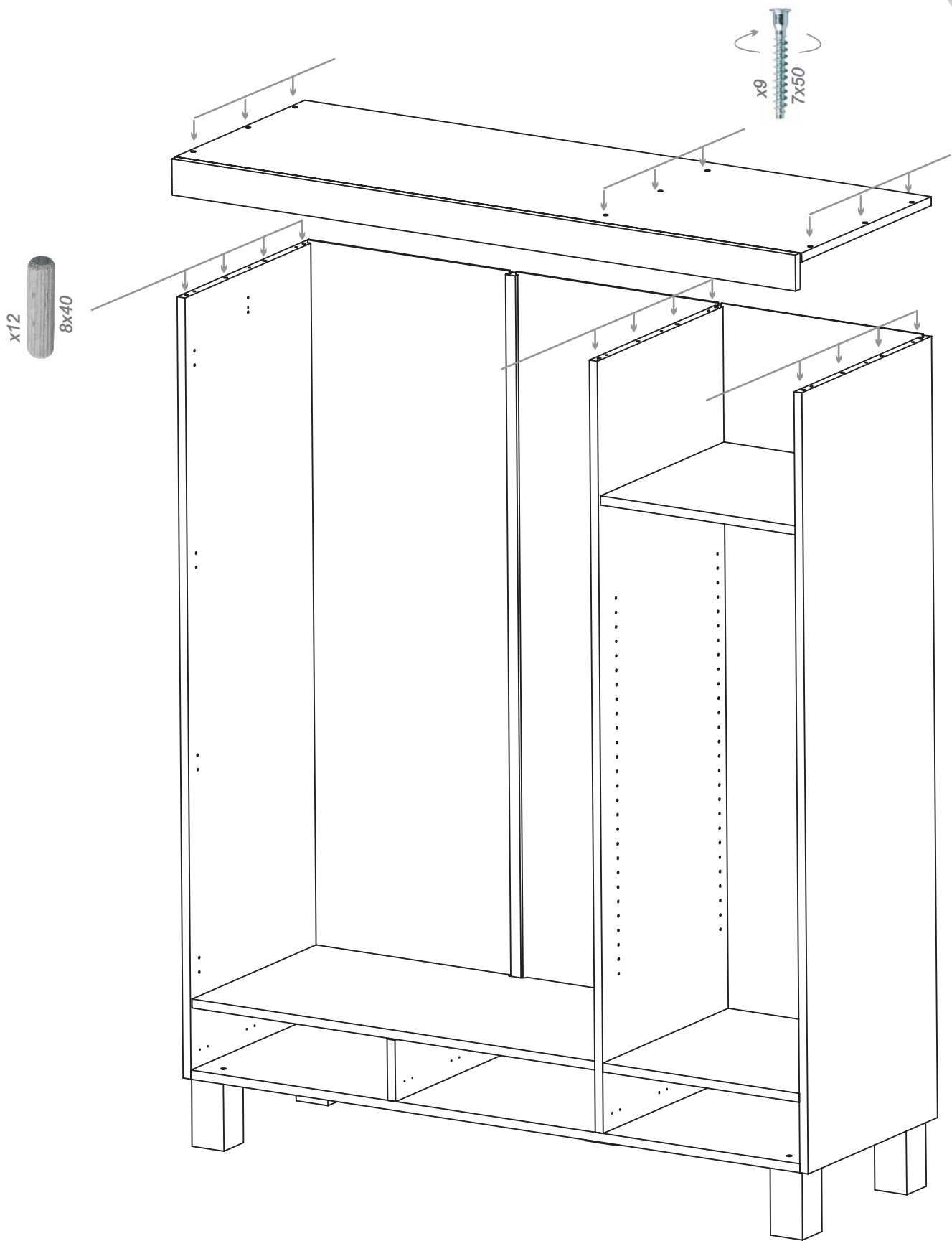


C

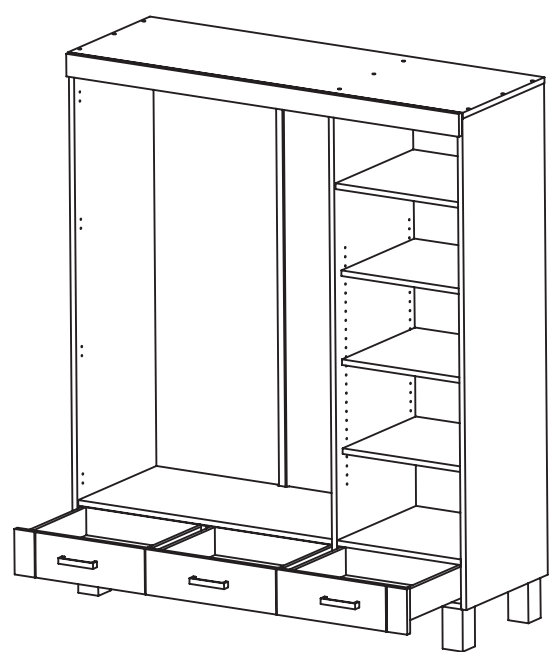
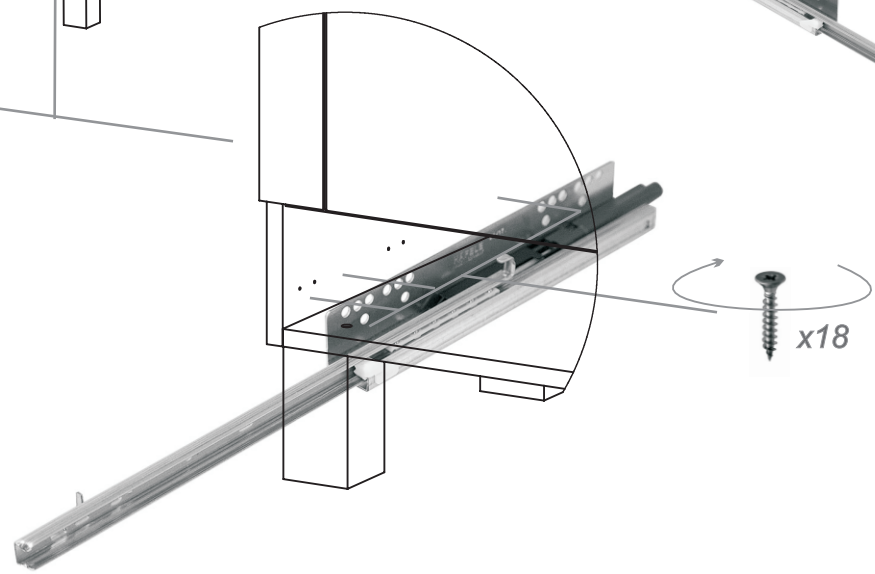
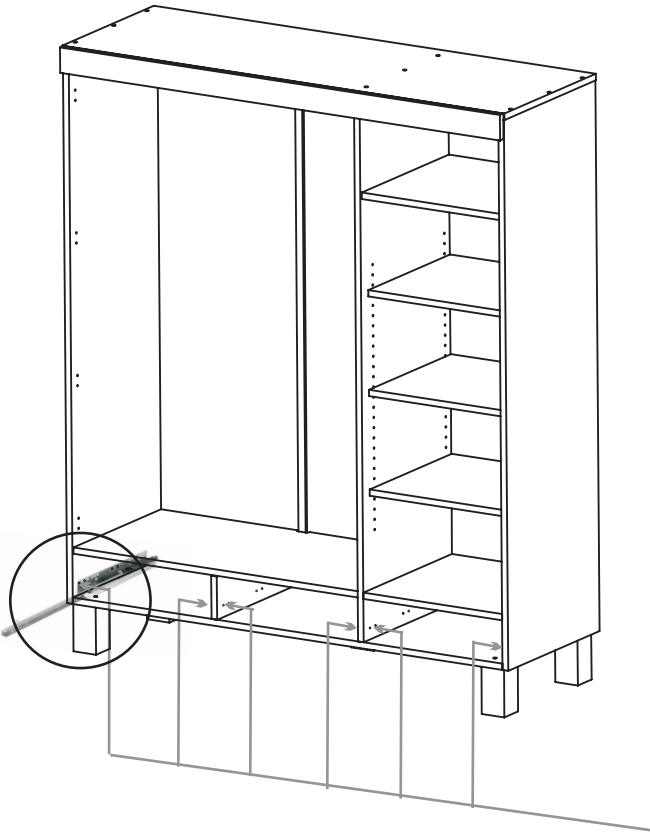


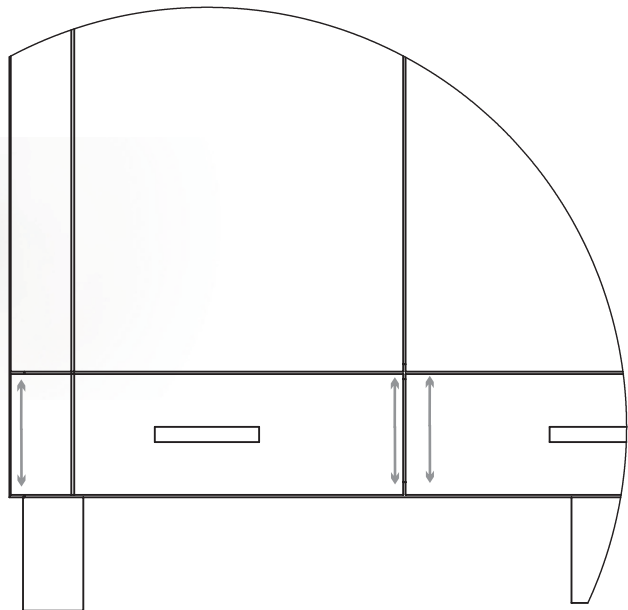
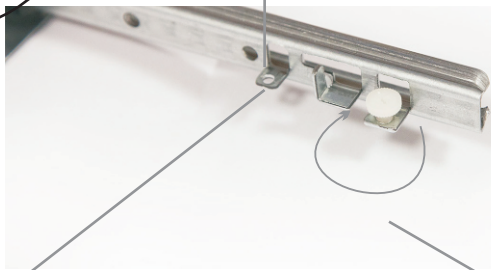
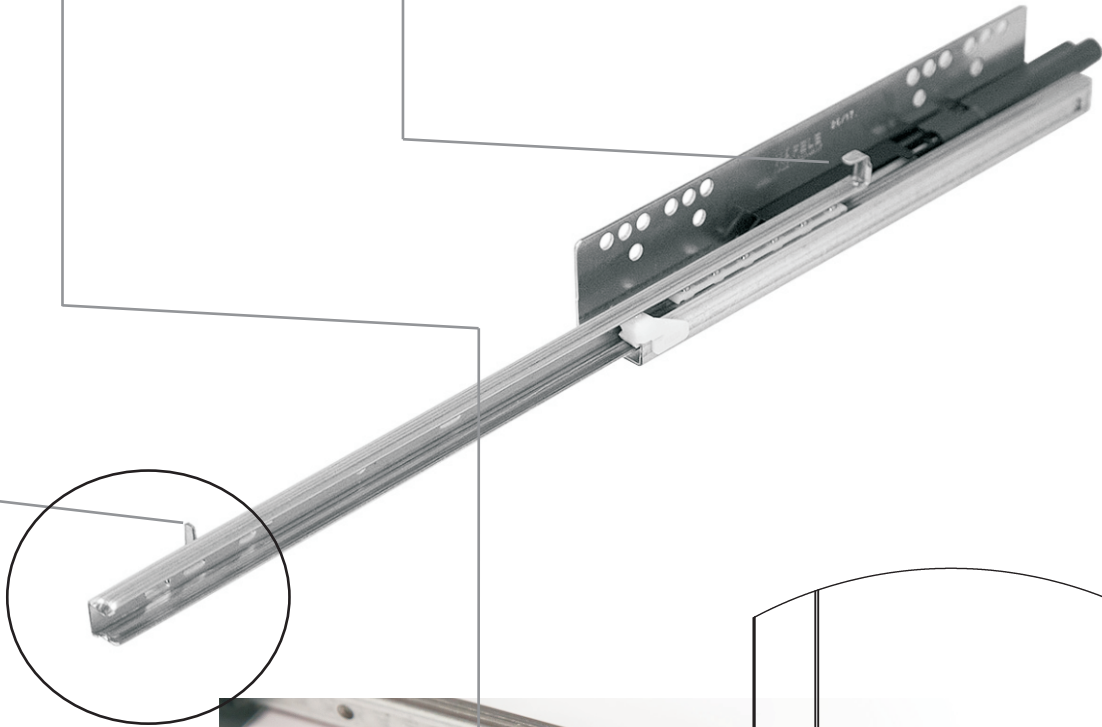
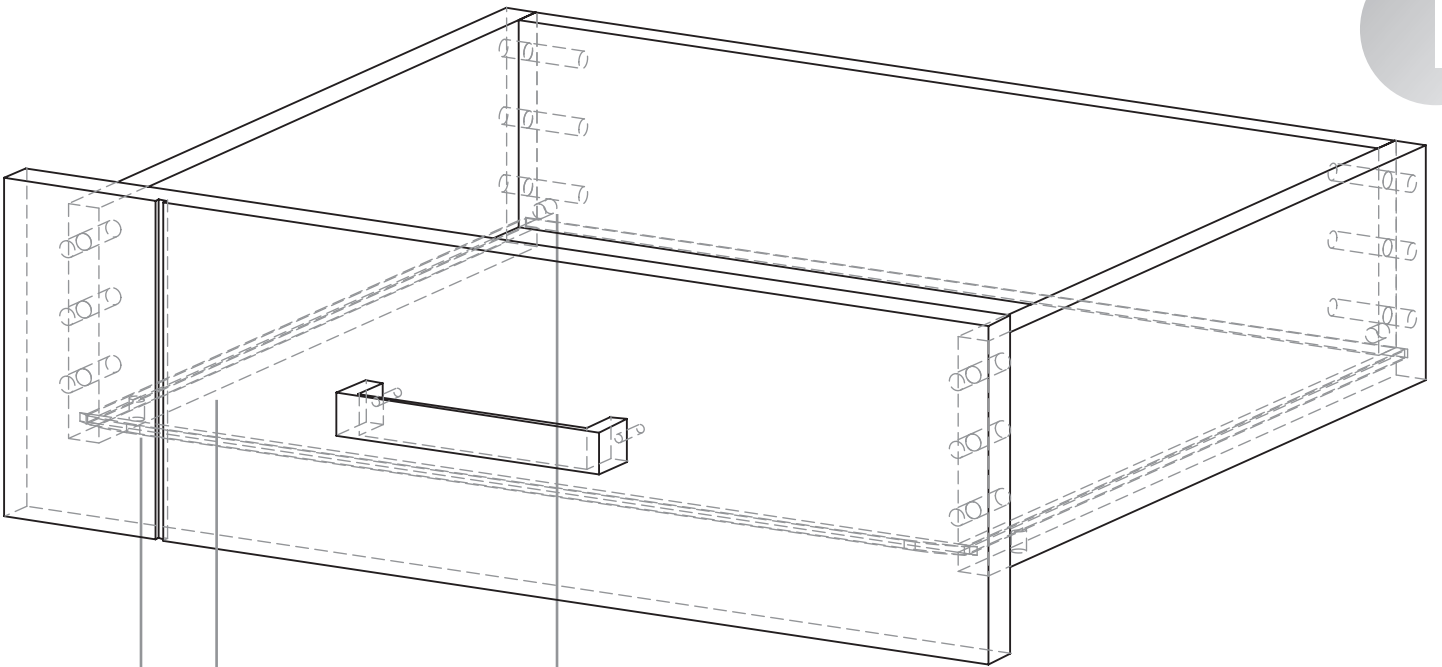
D

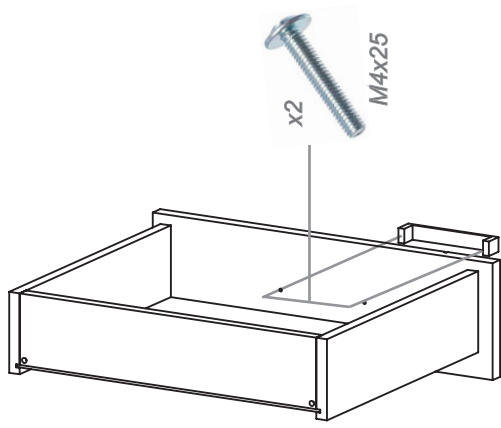
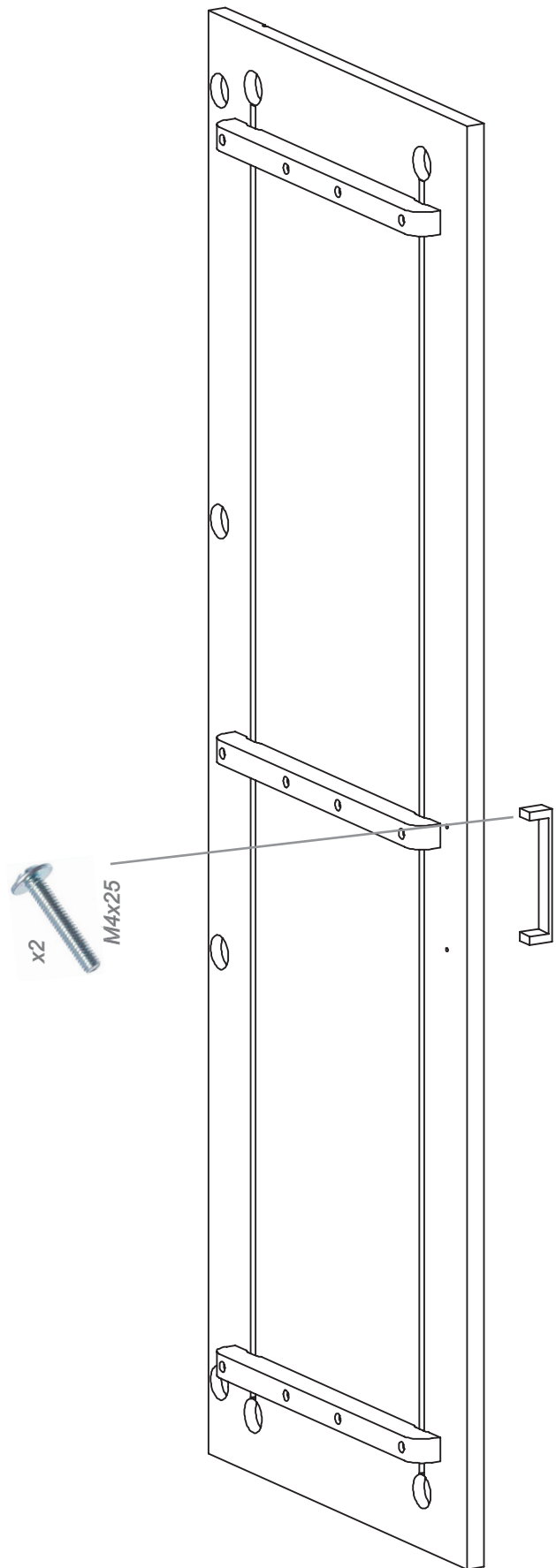




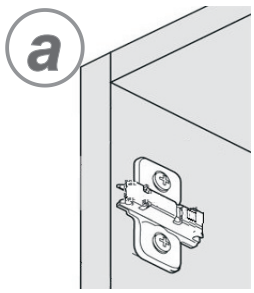
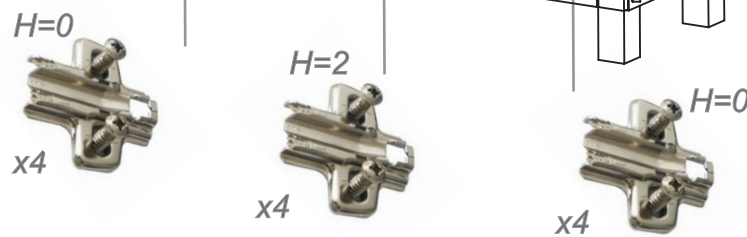
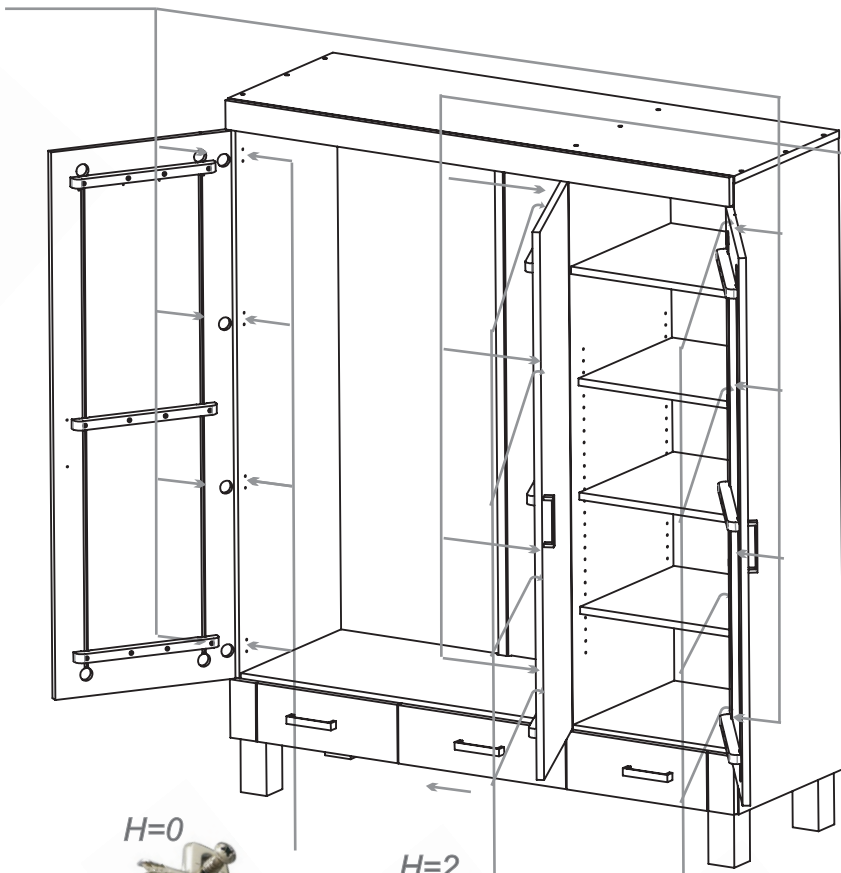




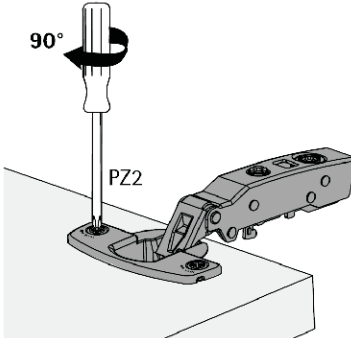
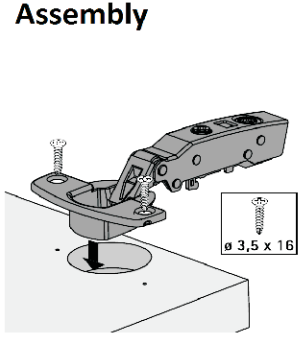




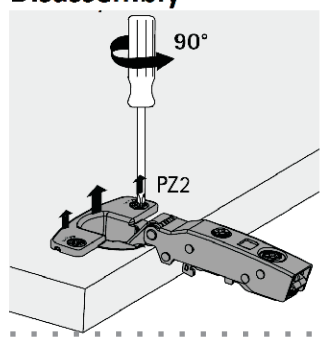
K



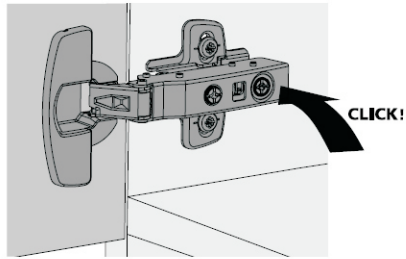
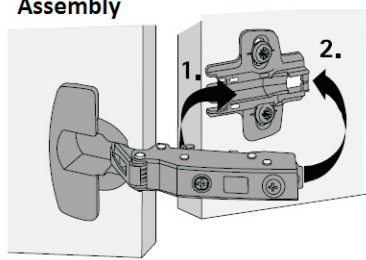
b Assembly



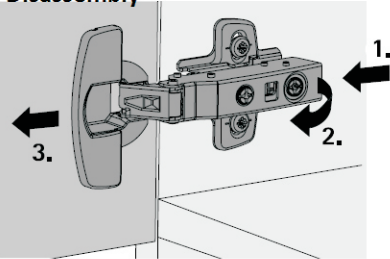
Disassembly



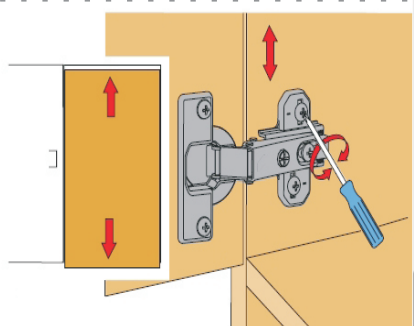
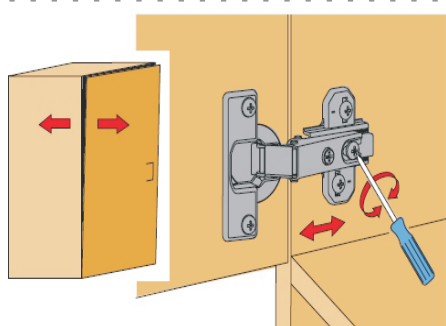
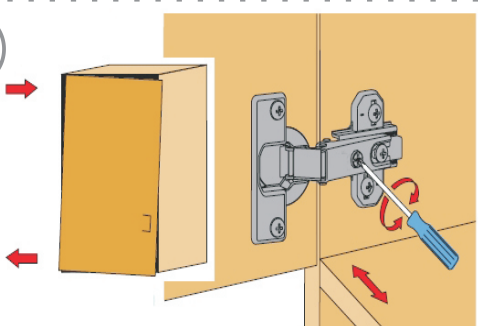
c Assembly



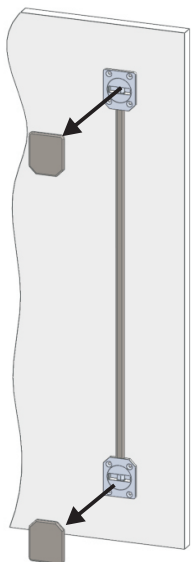
Disassembly



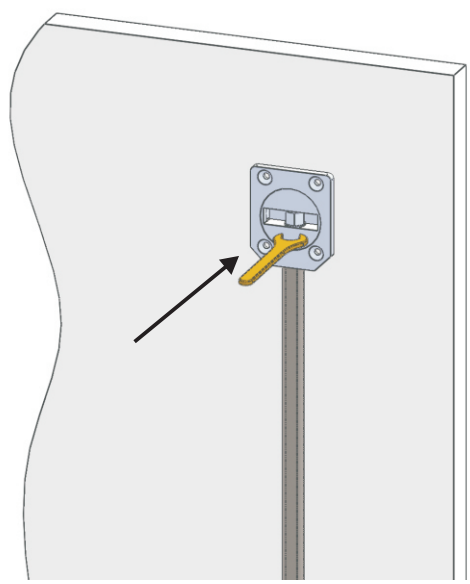
d



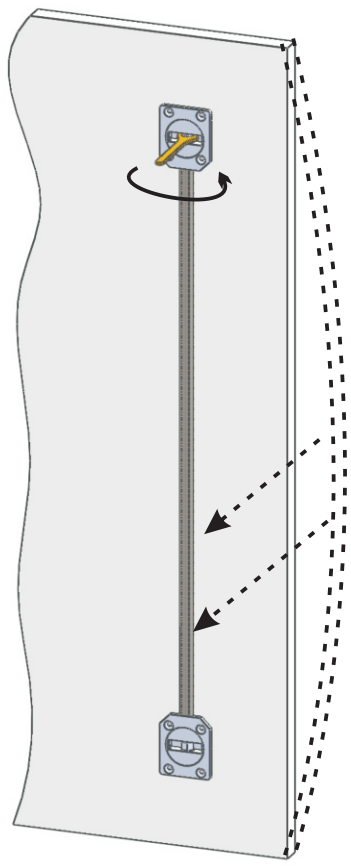
a



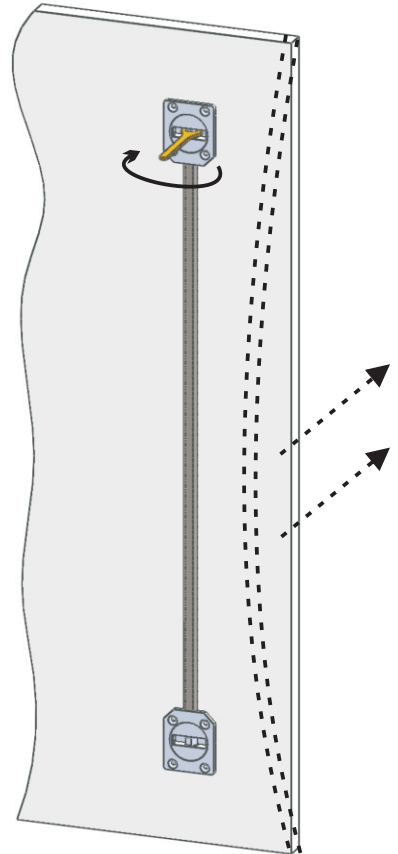
b



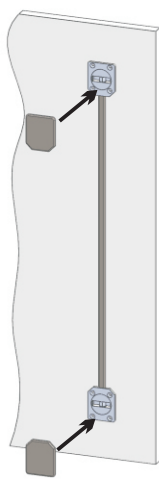
c1



c2



d



e

