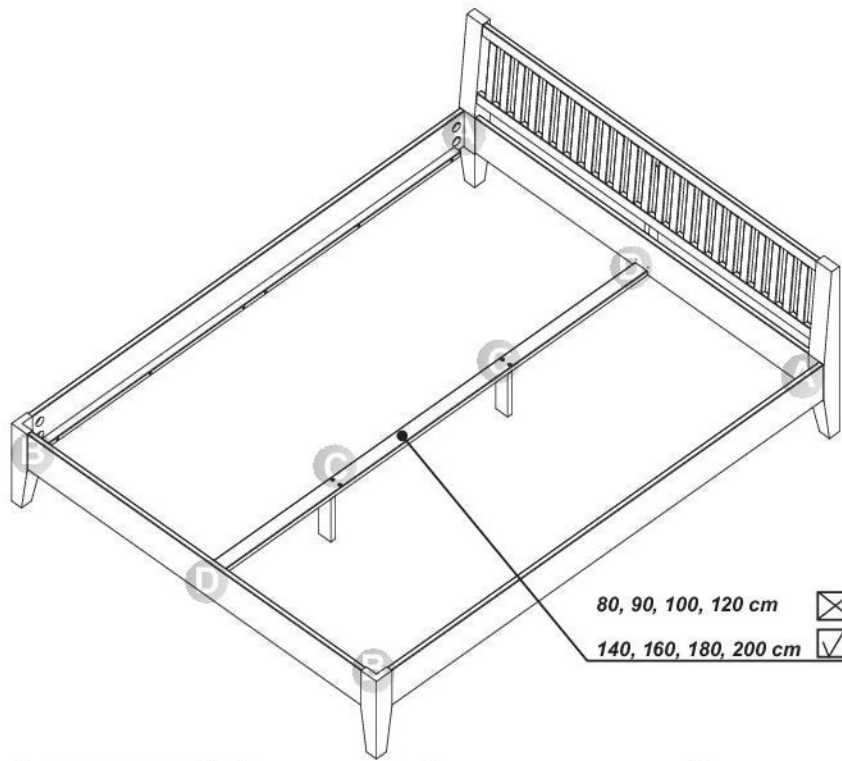
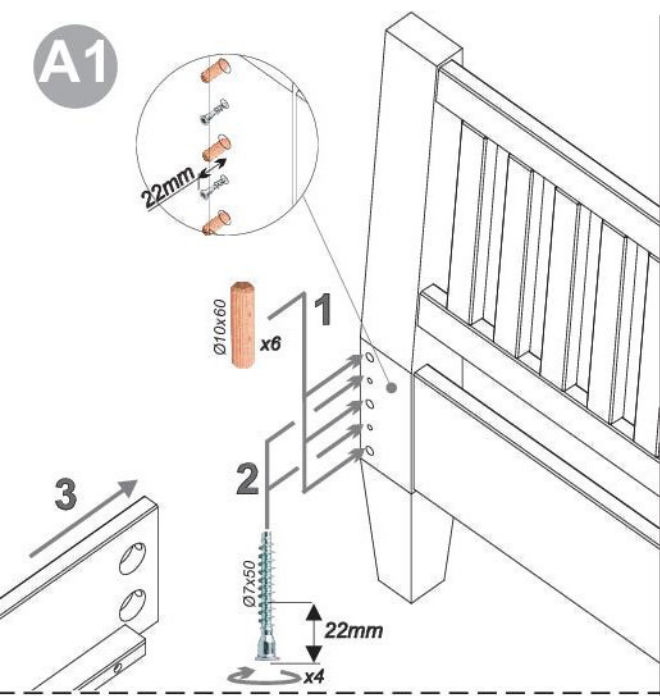
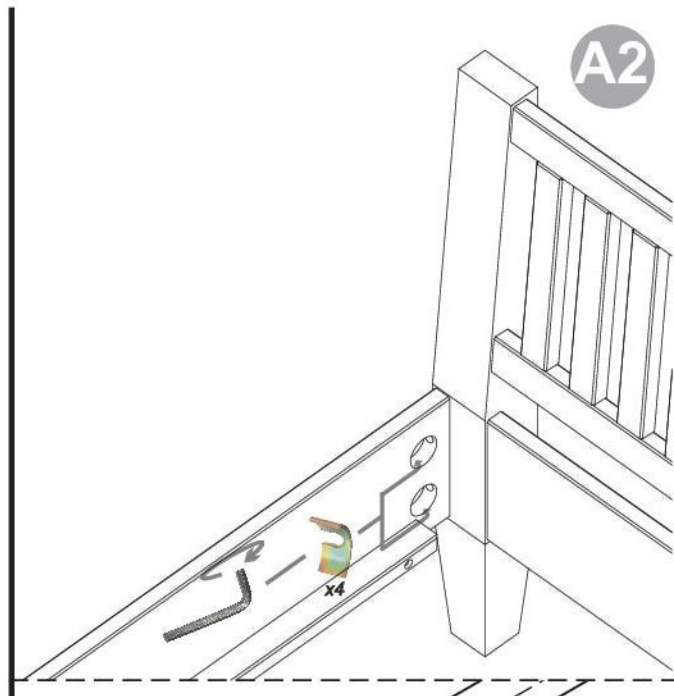
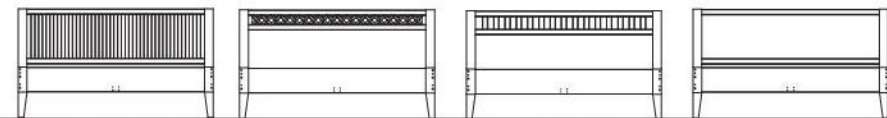
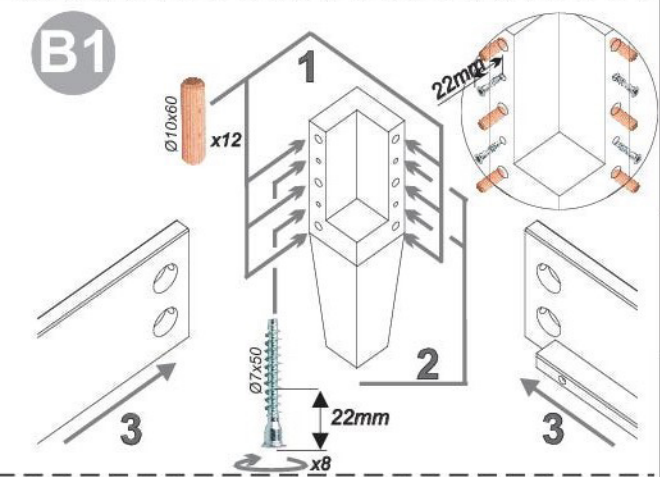
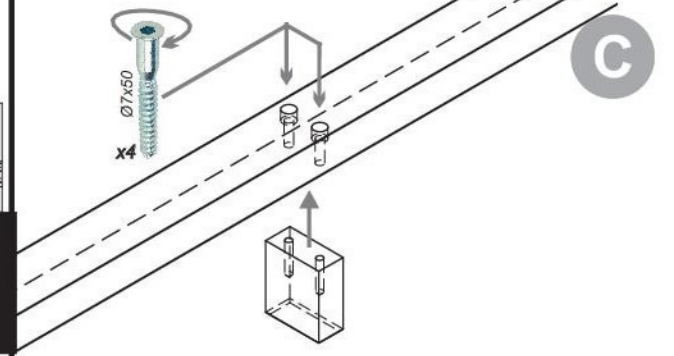
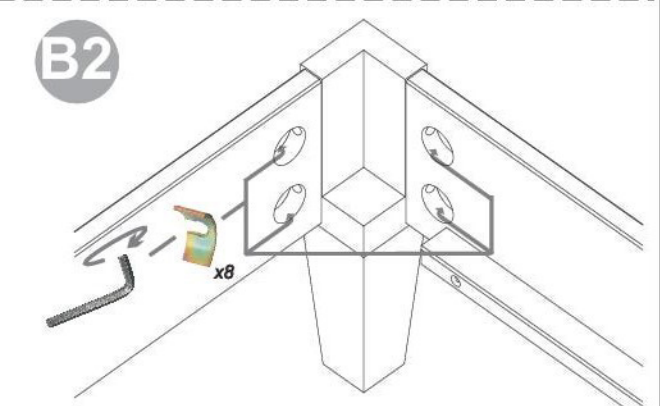
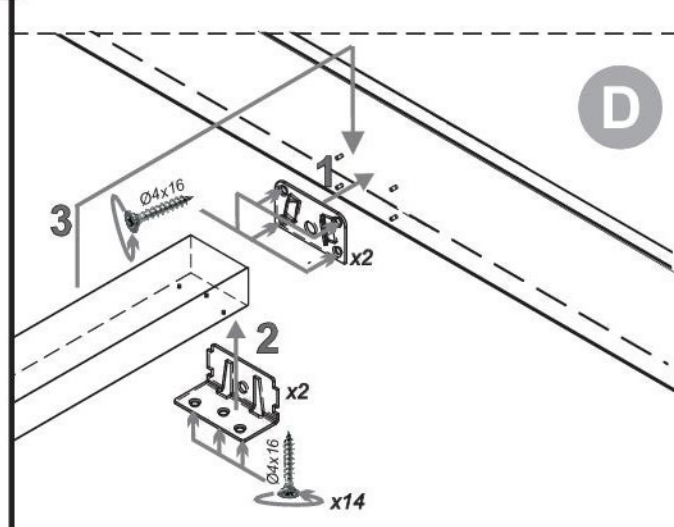


A1**A2****B1****C****B2****D**

	01	02	03
	Ø4x16	Ø7x50	Ø10x60
	x 14	x 16	x 18
90'			
	04	05	06
	S4		
x 1	x 12	x 2	x 2