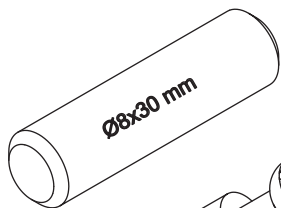
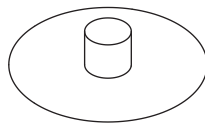


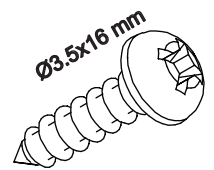
A x 10



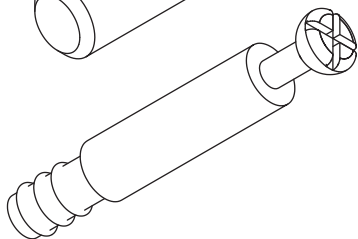
C x 8



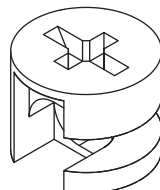
E x 8



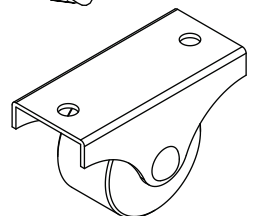
B x 14

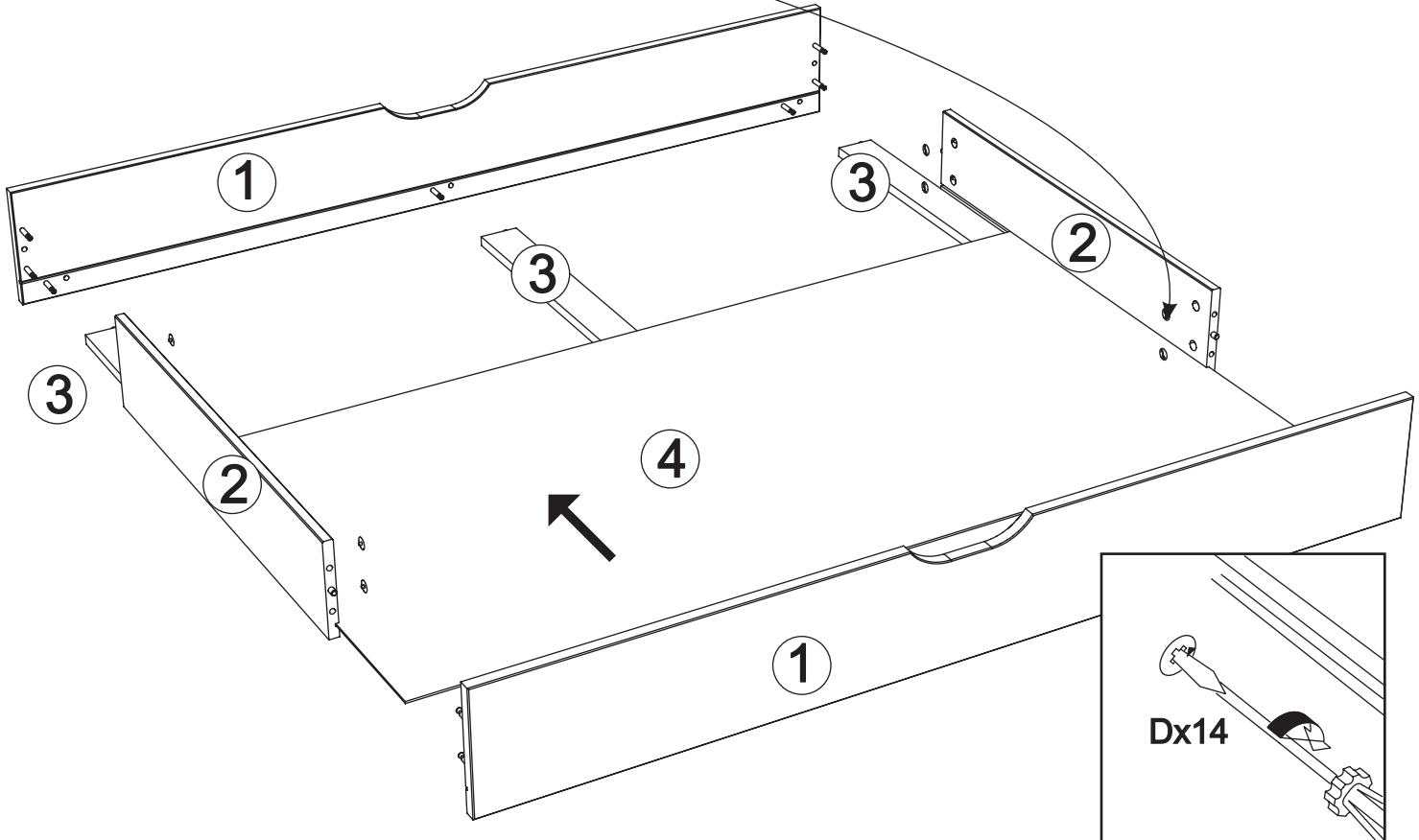
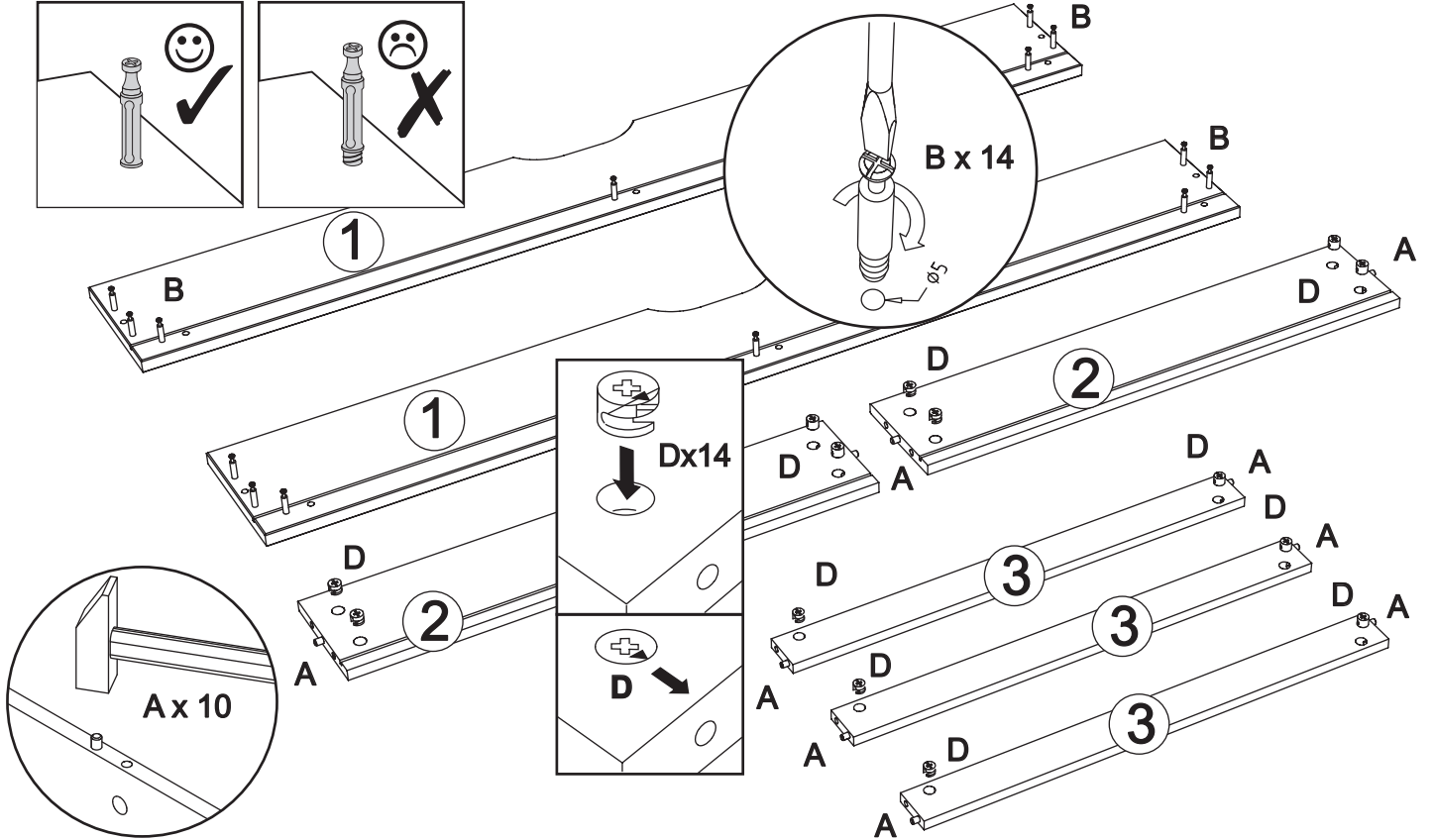
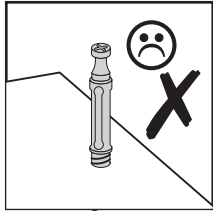
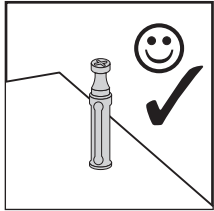


D x 14



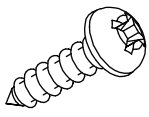
F x 4



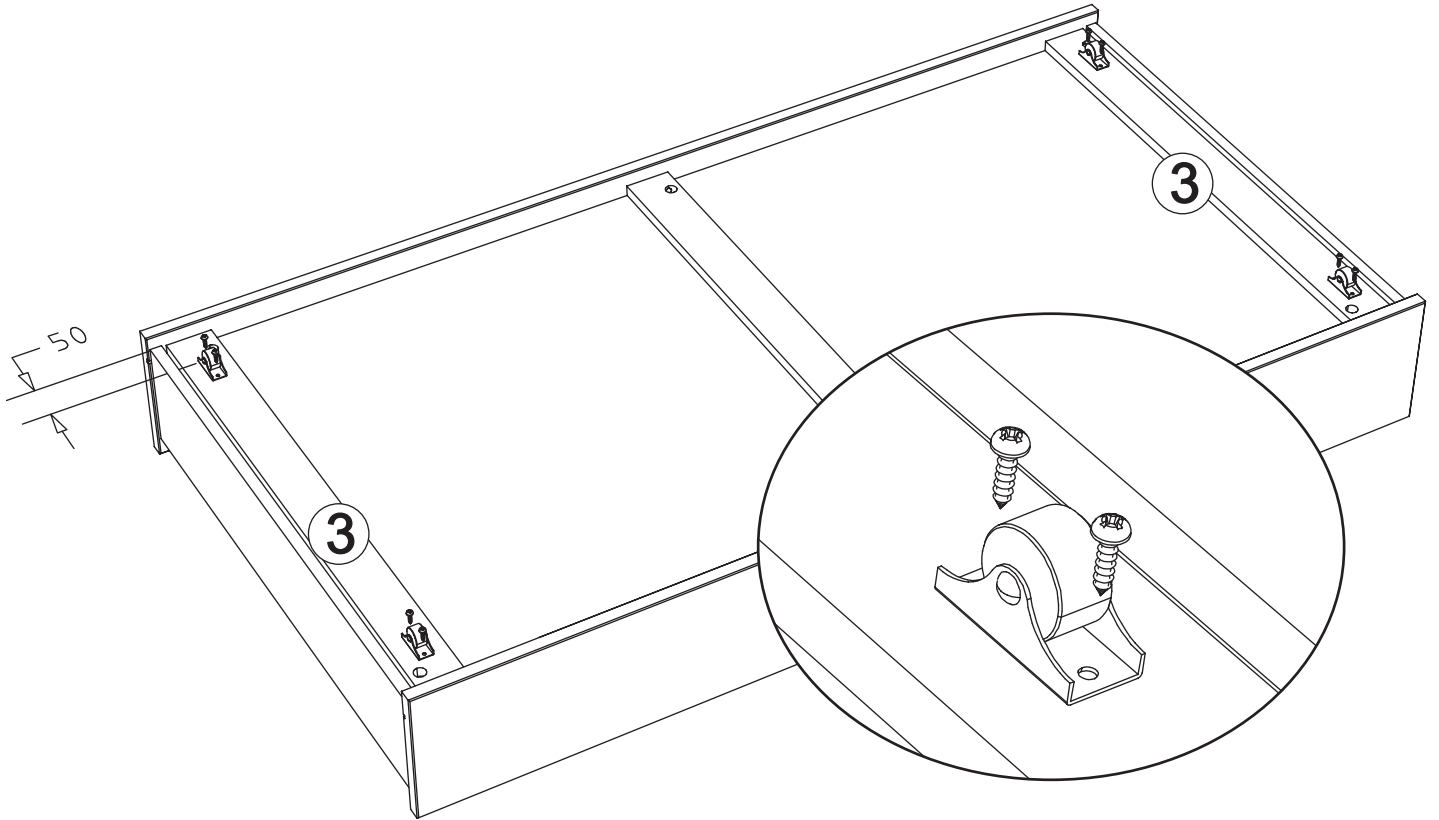
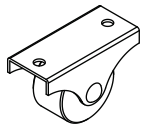


3

Ex 8



Fx 4



4

