
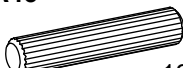

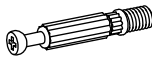


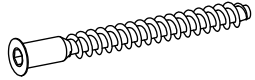

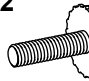
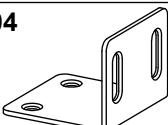

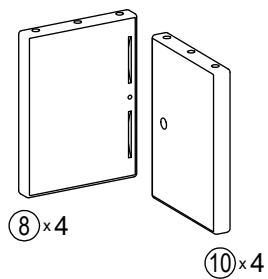






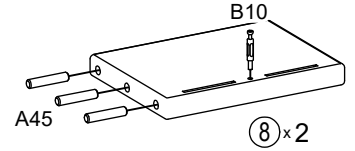
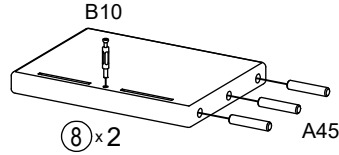
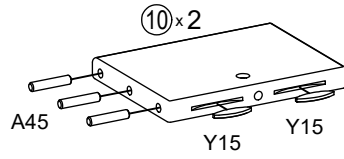
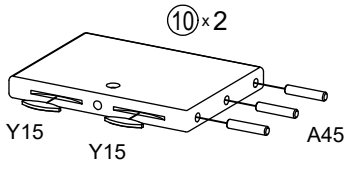
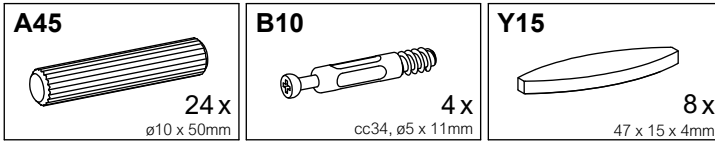
A24  12 x ø8 x 30mm	A45  12 x ø10 x 50mm	B01  8 x ø15 x 12,5mm	B14  8 x cc34, M6 x 7,8mm	
D37  12 x ø4 x 45mm	F66  8 x ø6,2 x 20mm	K11  1 x ø7 x 70mm	M21  1 x M6, ø8,8 x 13,5, ø14mm	Q52  1 x M6 x 22, ø19 x 6mm
V04  2 x 50 x 50 x 40 x 2mm	Z04  1 x 4mm			

901 121

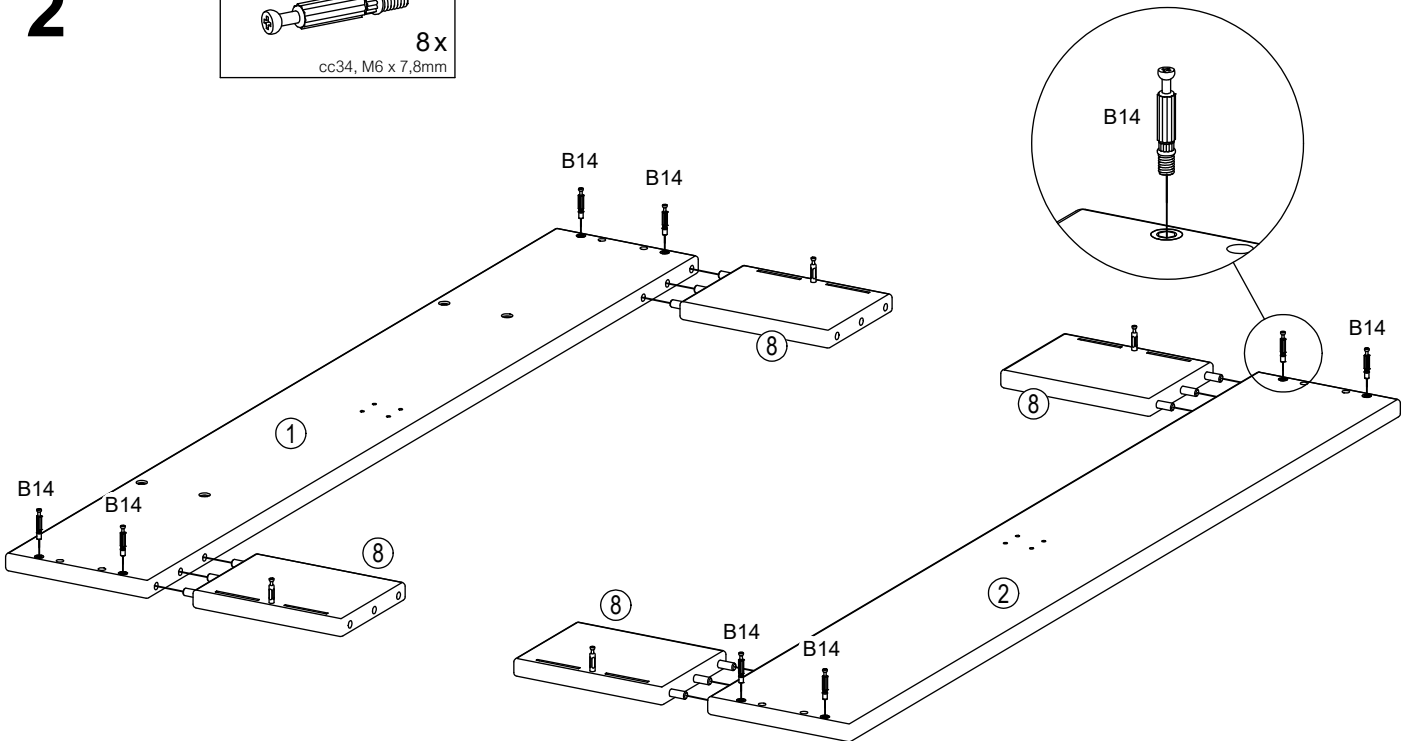
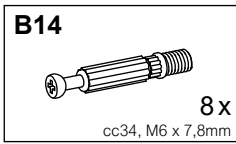


A45  24 x ø10 x 50mm	B01  4 x ø15 x 12,5mm	B10  4 x cc34, ø5 x 11mm	Y15  8 x 47 x 15 x 4mm
------------------------------------------------------------------------------------------------------------------------	--------------------------------------------------------------------------------------------------------------------------	-----------------------------------------------------------------------------------------------------------------------------	---------------------------------------------------------------------------------------------------------------------------

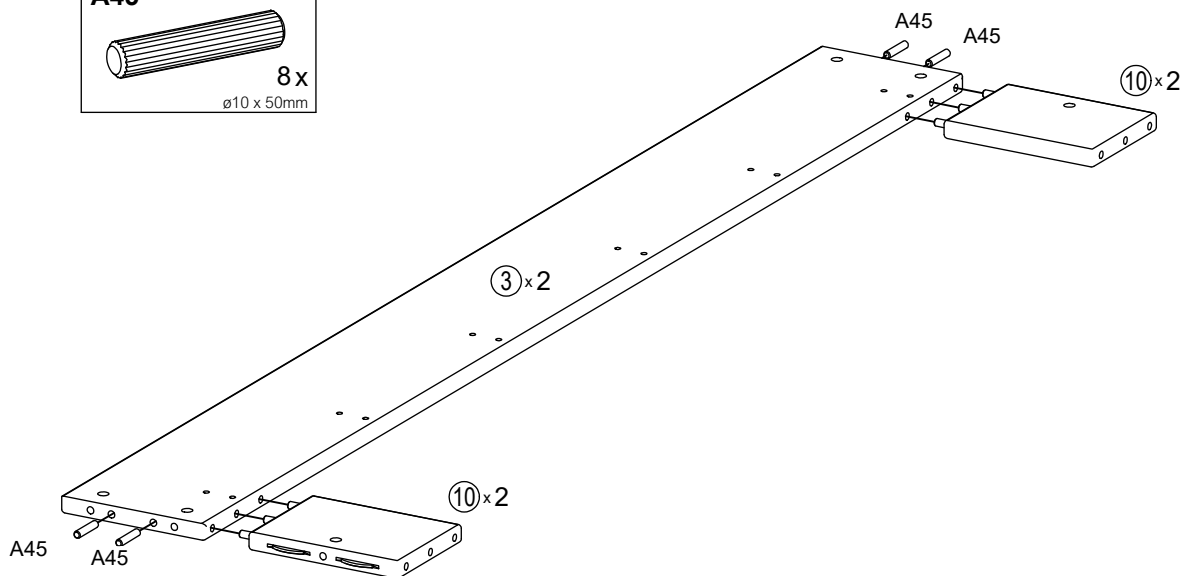
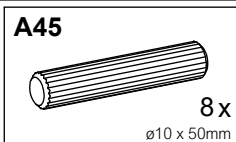
1



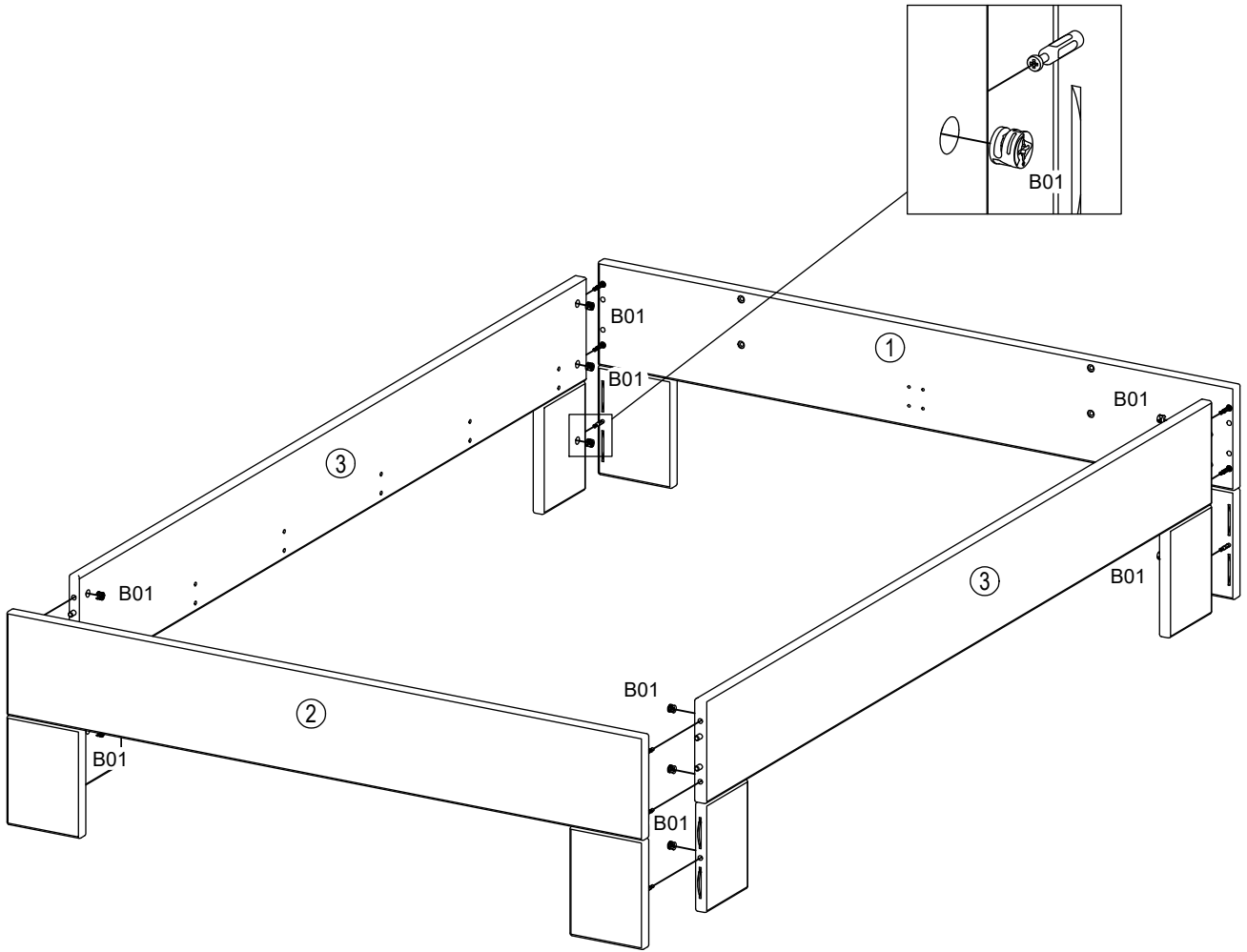
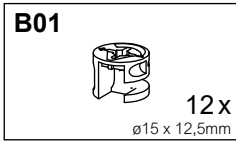
2



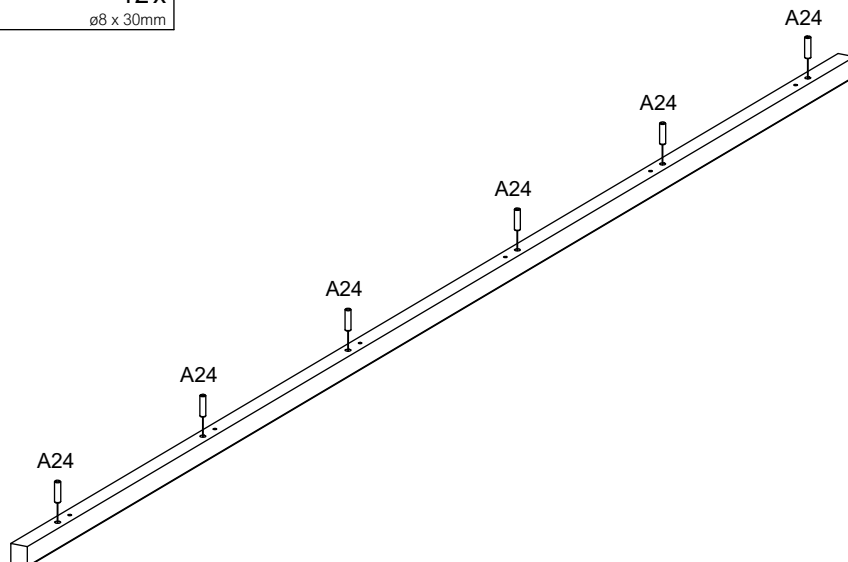
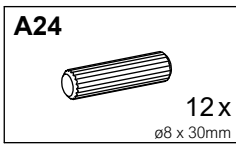
3



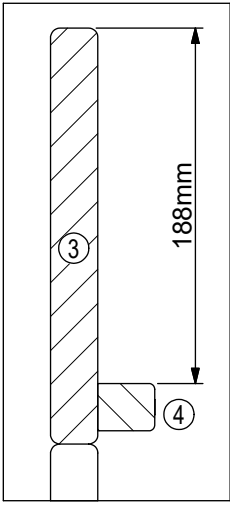
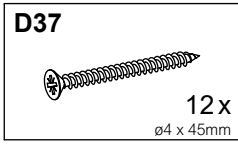
4



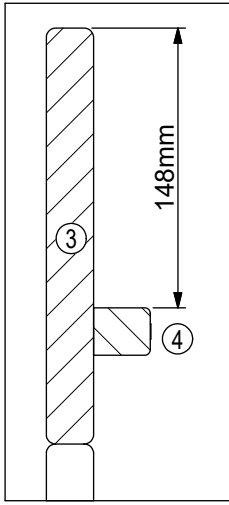
5



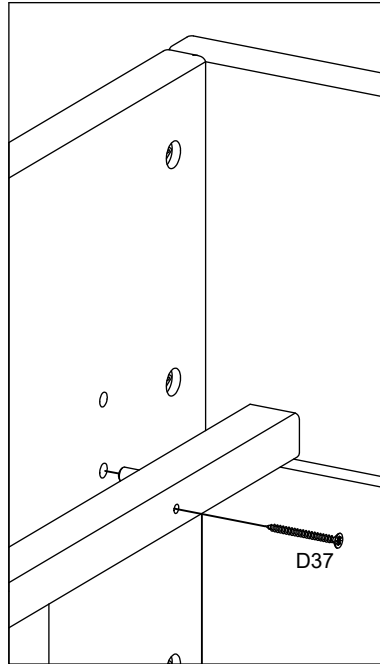
6



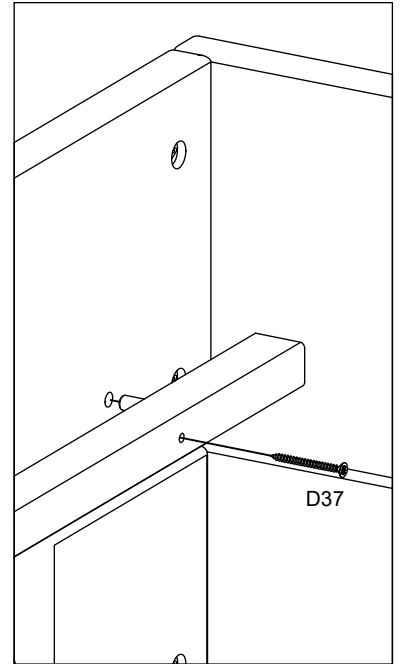
6A



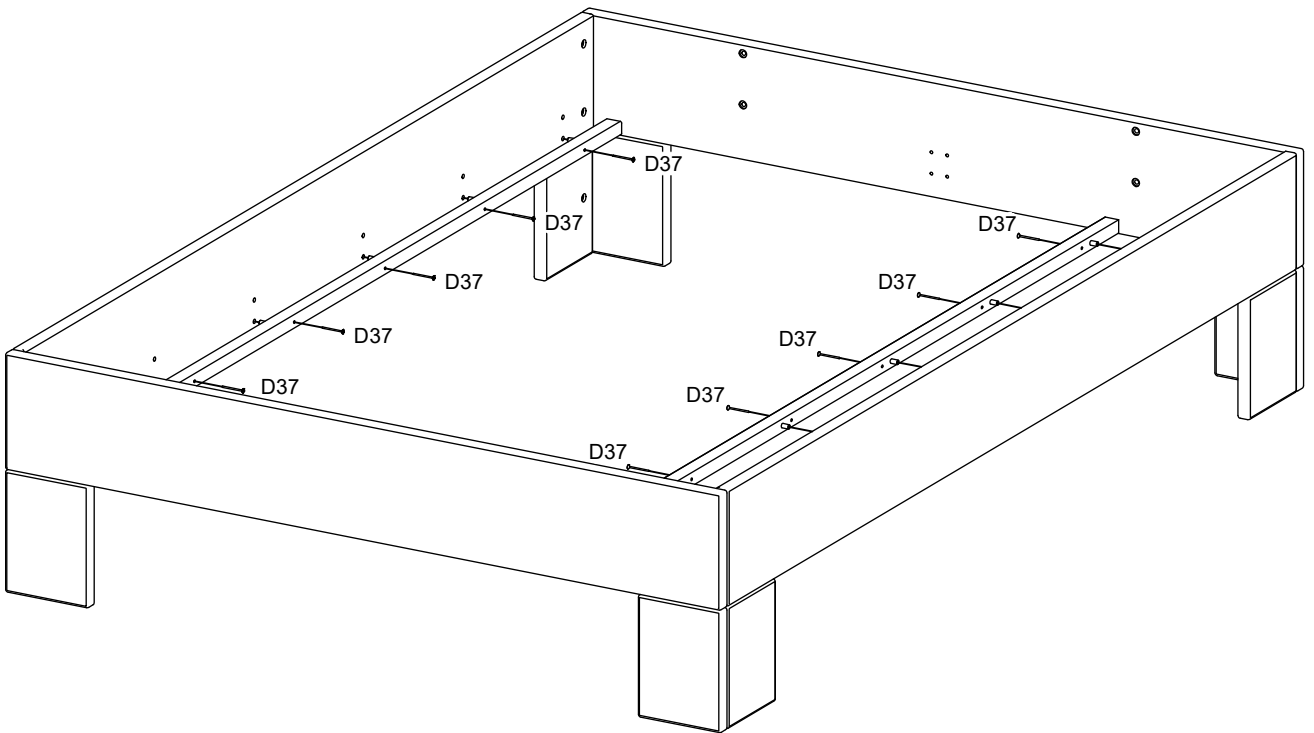
6B



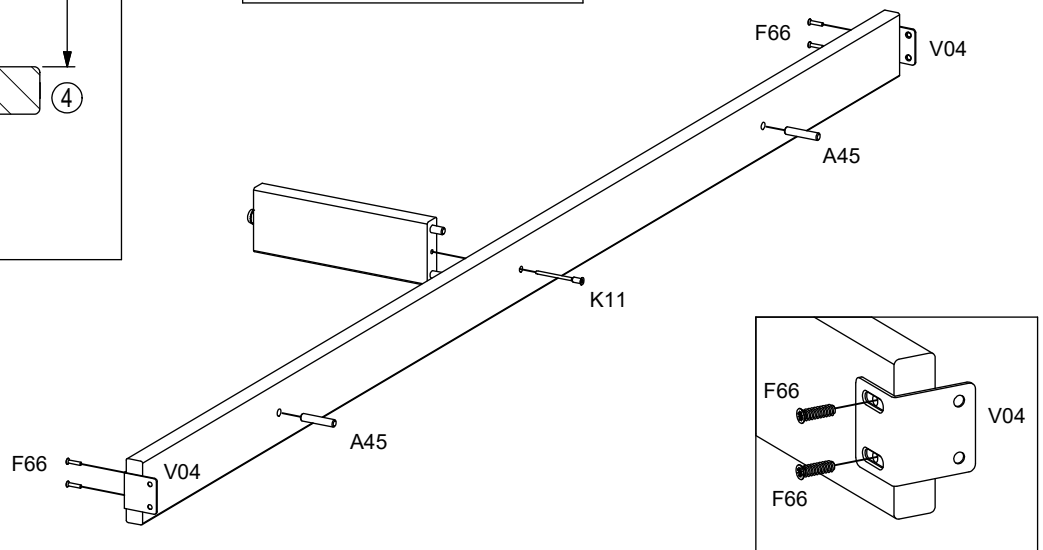
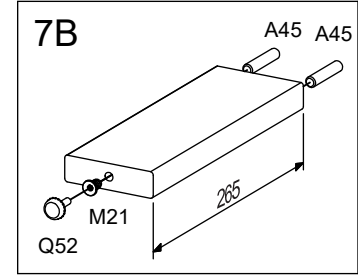
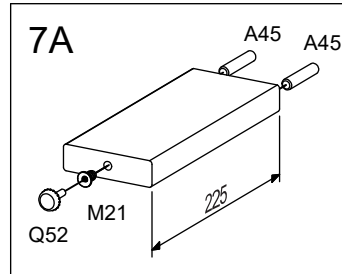
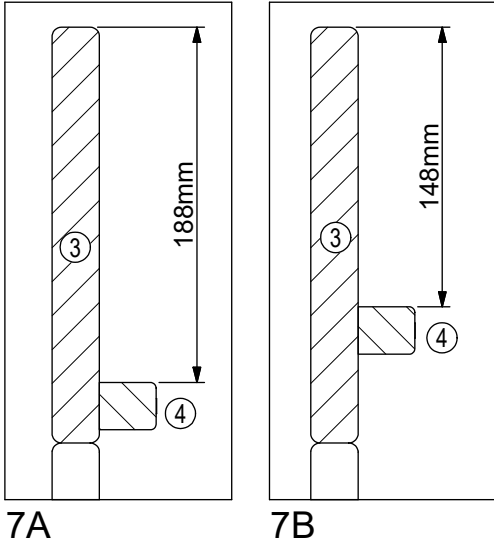
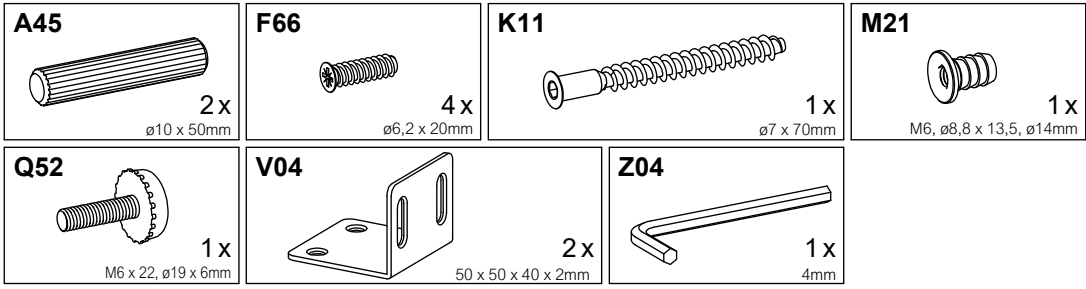
6A



6B



7



8

