





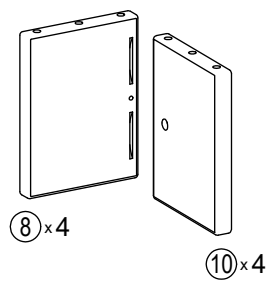




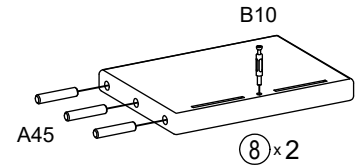
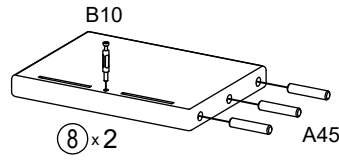
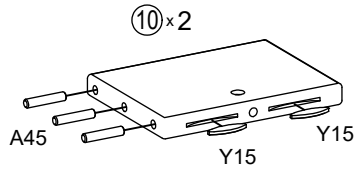
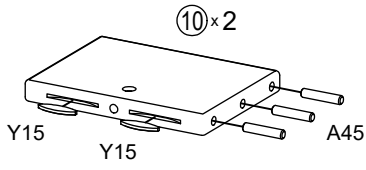
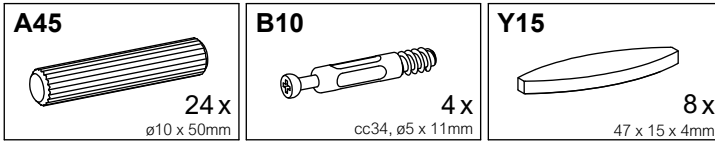


A24  12 x ø8 x 30mm	A45  8 x ø10 x 50mm	B01  8 x ø15 x 12,5mm	B14  8 x cc34, M6 x 7,8mm
D37  12 x ø4 x 45mm	Z04  1 x 4mm		

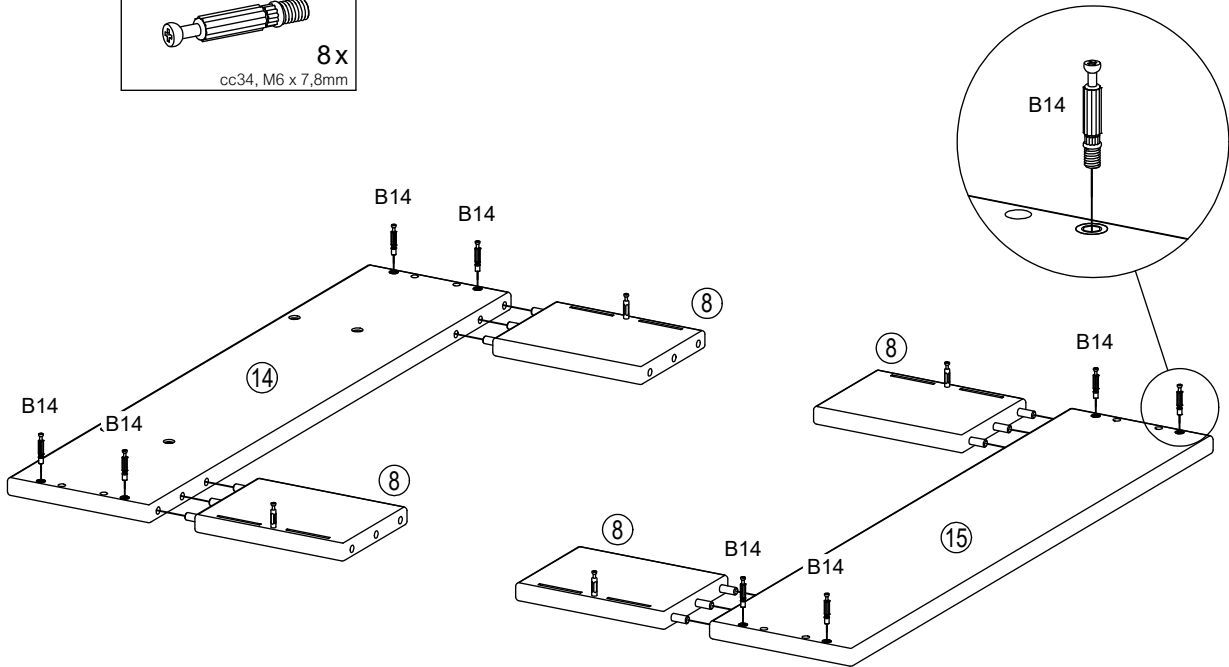
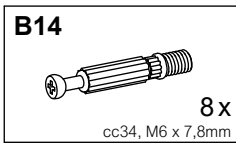


A45  24 x ø10 x 50mm	B01  4 x ø15 x 12,5mm	B10  4 x cc34, ø5 x 11mm	Y15  8 x 47 x 15 x 4mm
--	--	---	---

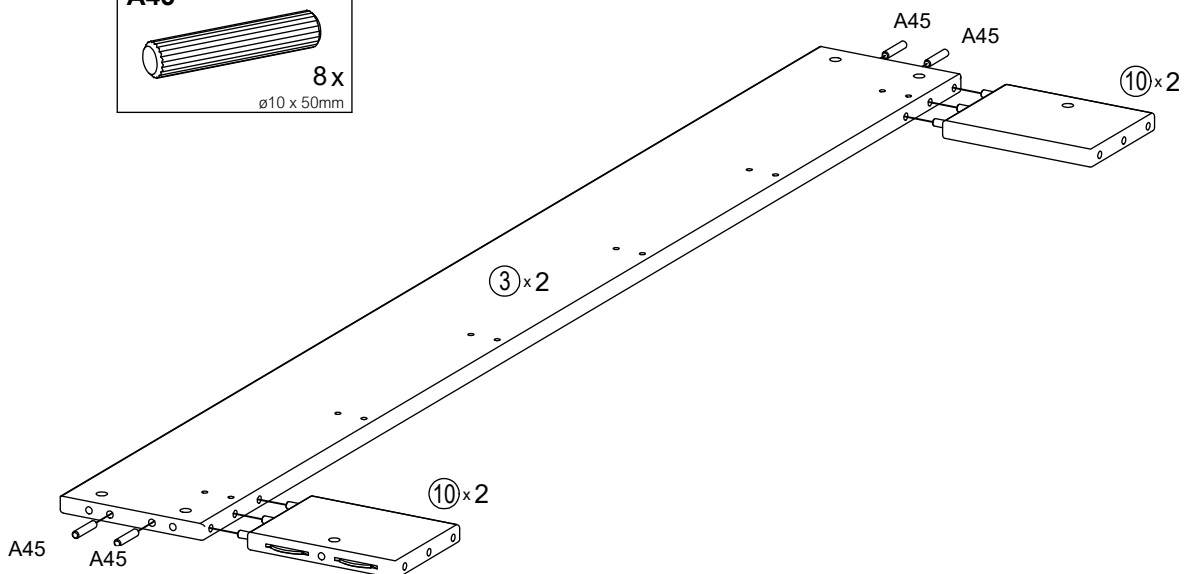
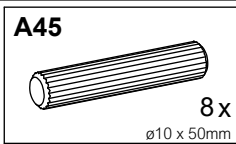
1



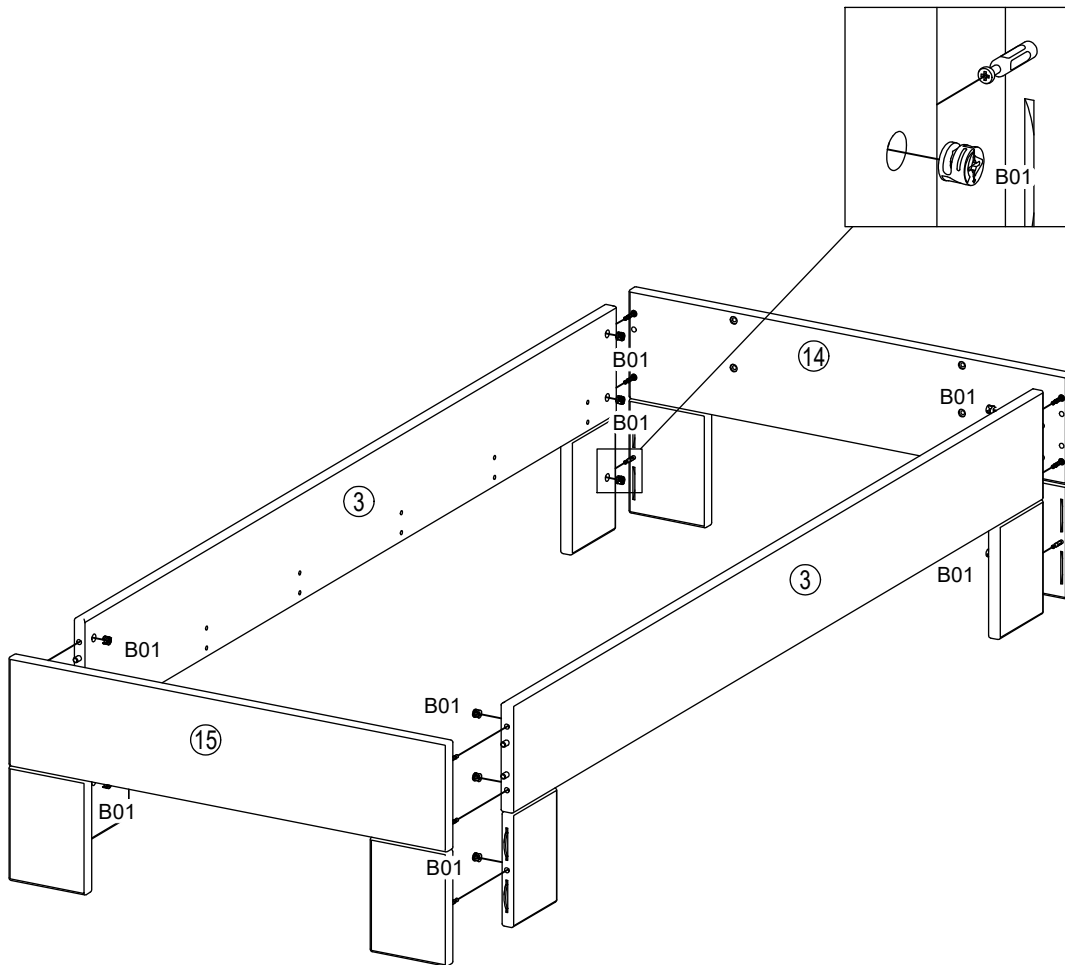
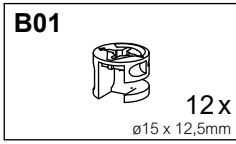
2



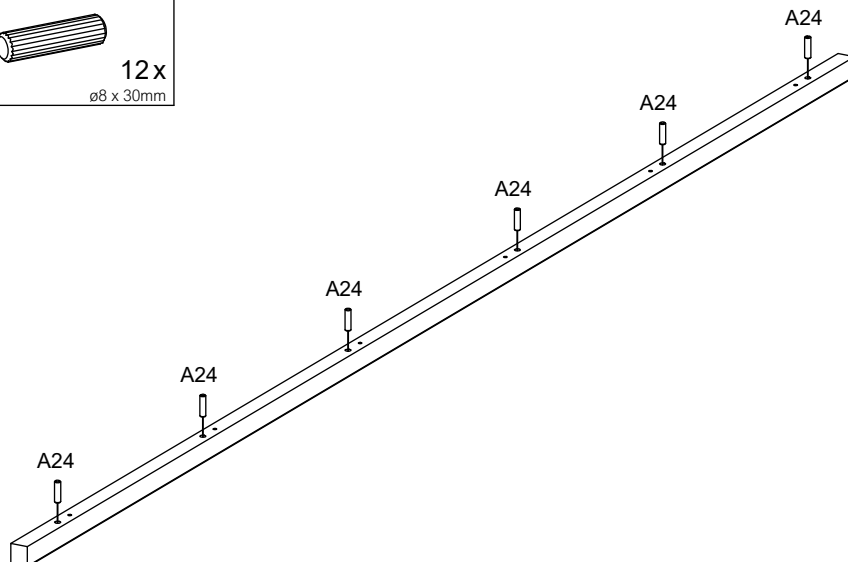
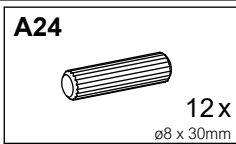
3



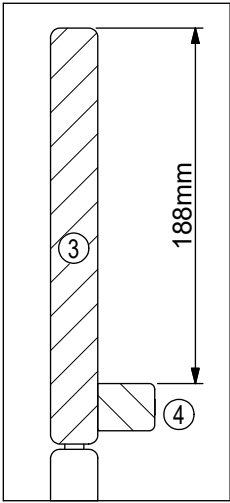
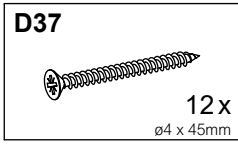
4



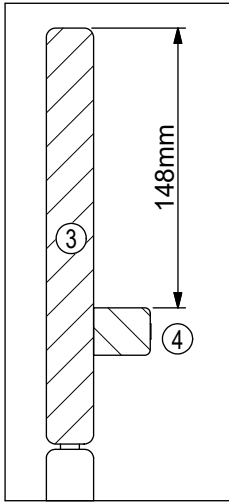
5



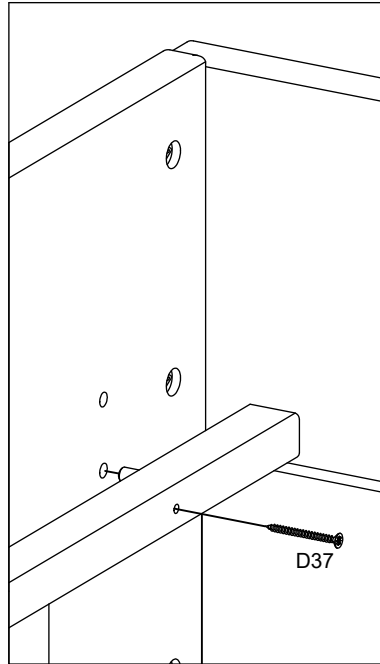
6



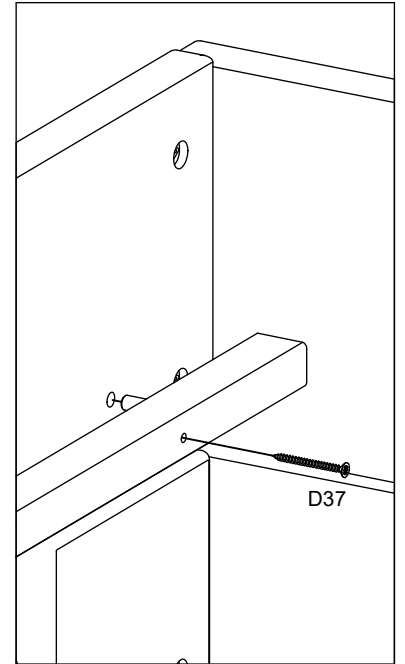
6A



6B



6A



6B

